

DOZ2013

20V Brushless Oil Pulse Pistol



- The oil pulse unit uses oil hydraulics to effectively reduce torque reaction, vibration, and noise
- Precise auto shut-off when it reaches the desired torque with LED and buzzer indicator of joint status for either good or not-good fixing
- Built-in 2-way wireless communication that can connect to a PLC unit or computer
- The brushless motor ensures the use of wear-free components, which reduces maintenance costs and extends the life cycle of the product



TECHNICAL SPECIFICATIONS

Model	DOZ2013-D-WR30	DOZ2013-3-WR40	DOZ2013-3-WR55
Voltage	20V		
Drive	1/4" Hex Shank	3/8" Square	3/8" Square
Torque Range	12-30 Nm	15 - 40 Nm	35- 55 Nm
Programmable Speed	800 - 6,000 RPM		
Length (w/o battery)	19 cm x 7.7 cm x 23.9 cm	19.2 cm x 7.7 cm x 23.9 cm	21 cm x 7.7 cm x 23.9 cm
Tool Weight (w/o battery)	1.65 kg	1.62 Kg	1.78 Kg

NOISE/VIBRATION INFORMATION

Noise Level	Sound Pressure Level (L_{pA})	73.2 dB(A)
	Noise Uncertainty (K Factor)	3.0 dB(A)
Vibration Value	Average Vibration Level (A_v)	2.95 m/s^2
	Uncertainty Level (K Factor)	1.5 m/s^2

TECHNOLOGIES



DC motors have traditionally been driven by carbon brushes to power the motor. Over time these wear out and need replacing. All our motors are brushless meaning that the motor is controlled electronically without the need for carbon brushes ensuring your tool is maintenance-free.

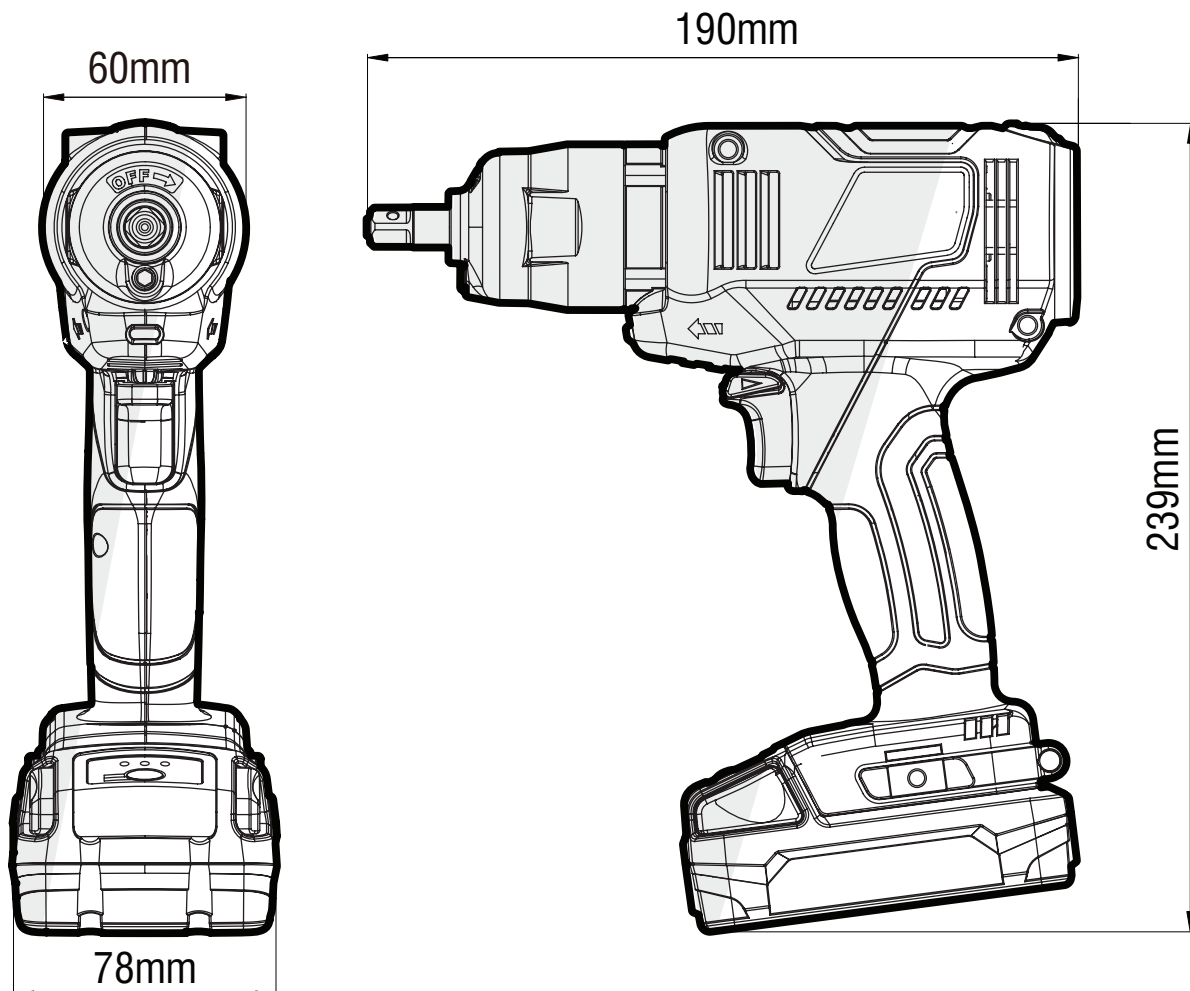


We have leveraged decades of electrical expertise from some of the world's leading electrical engineers to develop our wireless platform to record and control our professional assembly tools, that can be remotely controlled via our software or different protocols for PLC systems.



Our patent-pending All-In-One motor includes the power, control & communication board along with the automatic winding stator with an interior permanent magnet design rotor, all enclosed in a die-cast cover. These one-unit components have several advantages, including weight reduction, longer lifespan, and crucially our number one design goal of efficiency as there are no additional components to cool.

DIMENSIONAL DRAWING



TOOL FEATURES



An oil pulse tool uses hydraulic oil and a unique pulsating mechanism to deliver high torque with reduced reaction force and quieter operation.



The low vibration properties of oil pulse tools minimize user fatigue and increase precision by damping the impact force through a fluid-driven mechanism.



Illuminate your workspace with the built-in LED light on this power tool, ensuring visibility in low-light conditions for enhanced work safety.



The auto shut-off function automatically shuts down the tool to prevent over-tightening and enhance safety during operation.



Our buzzer serves as an audible alert to notify the user of specific conditions or errors during operation, enhancing safety and efficiency.

DOZ4014

40V Brushless Oil Pulse Pistol



- The oil pulse unit uses oil hydraulics to effectively reduce torque reaction, vibration, and noise
- Precise auto shut-off when it reaches the desired torque with LED and buzzer indicator of joint status for either good or not-good fixing
- Built-in 2-way wireless communication that can connect to a PLC unit or computer
- The brushless motor ensures the use of wear-free components, which reduces maintenance costs and extends the life cycle of the product



TECHNICAL SPECIFICATIONS

Model	DOZ4014-4-WR90
Voltage	40V
Drive	1/2" Square
Torque Range	40 - 90 Nm
Programmable Speed	800 - 6,000 RPM
Length (w/o battery)	27.4 cm x 7.8 cm x 25.6
Tool Weight (w/o battery)	cm 2.55 kg

NOISE/VIBRATION INFORMATION

Noise Level	Sound Pressure Level (L_{pA})	73.5 dB(A)
	Noise Uncertainty (K Factor)	3.0 dB(A)
Vibration Value	Average Vibration Level (A_w)	2.98 m/s ²
	Uncertainty Level (K Factor)	1.5 m/s ²

TECHNOLOGIES



DC motors have traditionally been driven by carbon brushes to power the motor. Over time these wear out and need replacing. All our motors are brushless meaning that the motor is controlled electronically without the need for carbon brushes ensuring your tool is maintenance-free.

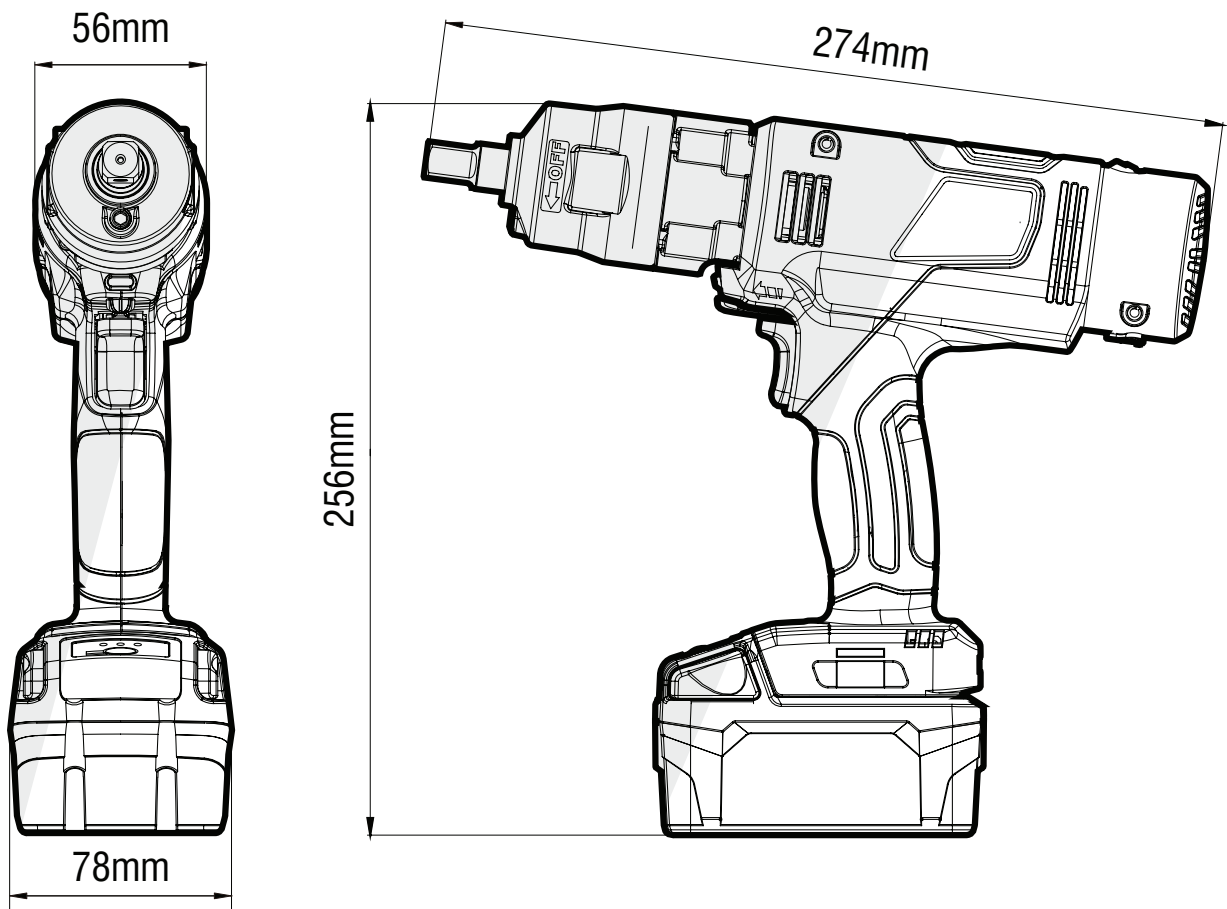


We have leveraged decades of electrical expertise from some of the world's leading electrical engineers to develop our wireless platform to record and control our professional assembly tools, that can be remotely controlled via our software or different protocols for PLC systems.



Our patent-pending All-In-One motor includes the power, control & communication board along with the automatic winding stator with an interior permanent magnet design rotor, all enclosed in a die-cast cover. These one-unit components have several advantages, including weight reduction, longer lifespan, and crucially our number one design goal of efficiency as there are no additional components to cool.

DIMENSIONAL DRAWING



TOOL FEATURES



An oil pulse tool uses hydraulic oil and a unique pulsating mechanism to deliver high torque with reduced reaction force and quieter operation.



The low vibration properties of oil pulse tools minimize user fatigue and increase precision by damping the impact force through a fluid-driven mechanism.



Illuminate your workspace with the built-in LED light on this power tool, ensuring visibility in low-light conditions for enhanced work safety.



The auto shut-off function automatically shuts down the tool to prevent over-tightening and enhance safety during operation.



Our buzzer serves as an audible alert to notify the user of specific conditions or errors during operation, enhancing safety and efficiency.