

DOV2054

20V Transducerized EPS Precision Pistol



- Incorporates a built-in transducer that is ideal for safety-critical applications with real-time torque feedback
- The Electronic Pulse System (EPS) is designed to reduce the reaction force
- Precise auto shut-off when it reaches the desired torque with LED and buzzer indicator of joint status for either good or not-good fixing
- OLED display for instant achieved torque, angle, batch count information
- Built-in 2-way wireless communication that can connect to a PLC unit or computer
- The brushless motor ensures the use of wear-free components, which reduces maintenance costs and extends the life cycle of the product



TECHNICAL SPECIFICATIONS

Model	DOV2054-WR8	DOV2054-3-WR8	DOV2054-WR18	DOV2054-3-WR18	DOV2054-3-WR24
Voltage	20V				
Drive	1/4" Hex Drive	3/8" Square	1/4" Hex Drive	3/8" Square	
Torque Range	1 - 8 Nm		3 - 18 Nm		6 - 24 Nm
No Load Speed	50 - 1,200 RPM		50 - 800 RPM		50 - 600 RPM
Accuracy	Cmk (based on 6 σ) \geq 1.67 at \pm 10%				
Length (w/o battery)	21.2 cm				
Tool Weight (w/o battery)	1.00 kg				

NOISE/VIBRATION INFORMATION

Noise Value	Sound Pressure Level (L_{pA})	73.7 dB(A),
	Noise Uncertainty (K Factor)	3.0 dB(A)
Vibration Value	Average Vibration Level (A_v)	0.887 m/s ²
	Uncertainty Level (K Factor)	1.5 m/s ²

TECHNOLOGIES



DC motors have traditionally been driven by carbon brushes to power the motor. Over time these wear out and need replacing. All our motors are brushless meaning that the motor is controlled electronically without the need for carbon brushes ensuring your tool is maintenance-free.



We have leveraged decades of electrical expertise from some of the world's leading electrical engineers to develop our wireless platform to record and control our professional assembly tools, that can be remotely controlled via our software or different protocols for PLC systems.

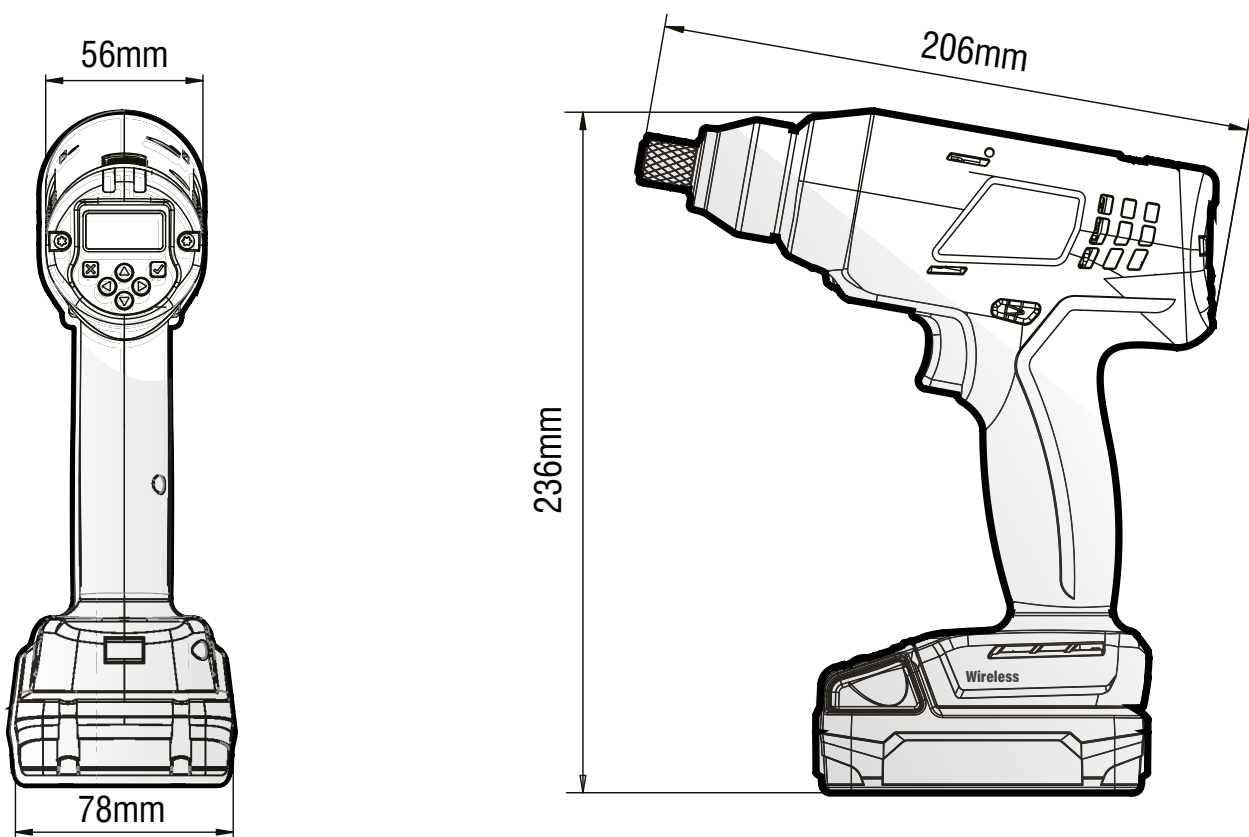


Our patent-pending All-In-One motor includes the power, control & communication board along with the automatic winding stator with an interior permanent magnet design rotor, all enclosed in a die-cast cover. These one-unit components have several advantages, including weight reduction, longer lifespan, and crucially our number one design goal of efficiency as there are no additional components to cool.



Our Electronic Pulse System is an electronic algorithm to dampen reactive forces for direct drive tools when they reach the desired torque. This process is achieved by pulsing the electric motor rather than applying continuous power to reduce the overall force applied to the user.

DIMENSIONAL DRAWING



TOOL FEATURES



Built-in transducer to provide real-time torque result feedback.



Low vibration minimises the risk of injury and fatigue on the operator, making it safer to use for long periods.



Illuminate your workspace with the built-in LED light on this power tool, ensuring visibility in low-light conditions for enhanced work safety.



The auto shut-off function automatically shuts down the tool to prevent over-tightening and enhance safety during operation.



Our buzzer serves as an audible alert to notify the user of specific conditions or errors during operation, enhancing safety and efficiency.