

Schraubenvereinzeler
für manuelle und robotik Schraubentnahme

AUTOMATIC SCREW PRESENTER



SUMMARY

AUTOMATIC SCREW PRESENTER

Pages

▶ 4

AUTOMATIC SCREW PRESENTERS WITH HORIZONTAL RAIL SYSTEM

▶ 7

AUTOMATIC SCREW PRESENTERS FOR MANUAL AND MAGNETIC PICKING UP OF THE SCREW

- NJ serie
- NJL serie
- NJ serie
- NSB serie
- NSBI serie
- NSBC serie
- SS serie
- OM-26M serie

▶ 23

AUTOMATIC SCREW PRESENTERS FOR SCREW PICKING UP BY VACUUM OR FOR USE IN AUTOMATIC STATIONS

- NJR serie
- NJRL serie
- NSR serie
- NSRI serie
- OM-26R serie

▶ 33

AUTOMATIC SCREW PRESENTERS FOR PICKING BY QUANTITY

- FM-36 serie

▶ 35

ACCESSORIES AND SERVICES

- Additionnal vertical hoppers
- Additionnal rear hoppers
- Assembly sleeve supports and guides on feeder NJR / NSR
- Assembly and setting packages

▶ 42

OUR SERVICES

AUTOMATIC SCREW PRESENTERS WITH HORIZONTAL RAIL SYSTEM

The gripping of small screws is delicate or even difficult.

- ▶ Screw dispensers present the screws to the user, which frees the operator's hand and facilitates the assembly of your application.
- ▶ They support a wide range of screw materials and shapes.
- ▶ They contribute to the efficiency of your production chain.
- ▶ The interchangeability of rails allows flexibility in your production lines.

BENEFITS

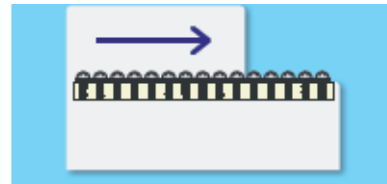
The gripping of small screws is delicate or even difficult

The horizontal rail allows the smooth presentation of many types of special screws including those with washers and short lengths under the head.



Horizontal rail provides a stable assembly and an orderly distribution of screws

Unlike gravity-based mechanisms, this one uses vibration to transport screws in a horizontal rail, eliminating problems such as overlapping or clogging and allowing a stable presentation, even for screws with washers.



Adapts to different screw diameters by simple rail replacement

The same model supports screw diameter by simply changing the rail. Some models support up to 8 screw diameters for a single unit.



SCREW GRIPPING METHOD

For manual and magnetic picking up of the screw

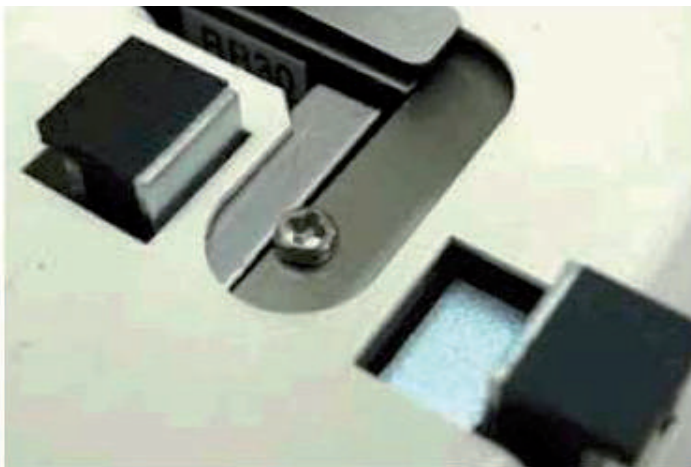
Favour manually operated dispensers (NJ / NSB / NSBI / SS / OM-26M) because the screws are presented one by one at the bottom of a funnel-shaped blade guide where they are attached to the magnetic screwdriver bit without any effort.



For screw picking up by vacuum or for use in automatic stations

Favour presenter (NJR / NSR / NSRI / OM-26R)

The screws are presented one by one in a perfectly flat and unobstructed space for gripping at the end of the suction barrel or without any hindrance.



Example of picking up with NJR / NSR / NSRI screw presenter series



Example of picking up with OM-26R screw presenter serie

LIST OF MODELS

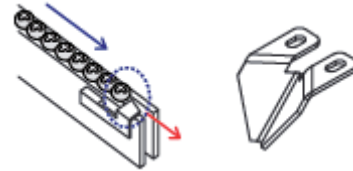
To choose the model that corresponds to your application:

- 1 - Select the use (Use on manual, automatic or by quantity)
- 2 - Select the screw diameter of your application
- 3 - Select the model adapted to the length of your screw
- 4 - Select the model adapted to the material of your screw

Use	Serie	Model	Screw diameter												Supported screw maximum under-head length	Supported materials
			1,0	1,2	1,4	1,7	2,0	2,3	2,6	3,0	3,5	4,0	5,0	6,0		
Manual	NJ	NJ-23					■	■	■	■					18 mm	Ferrous/non-ferrous (irrespective of material)
		NJC-23					■	■	■	■					25 mm	
		NJL-23					■	■	■	■					18 mm	
		NJ-45									■	■	■		25 mm	
		NJC-45									■	■	■		20 mm	
		NJL-45									■	■	■		16 mm	
	NSB	NSB	■	■	■	■	■	■	■	■					20 mm	
		NSBC	■	■	■	■	■	■	■	■						
	NSBI	NSBI	■	■	■	■	■	■	■	■						
	SS	SS-12	■	■	■	■	■									
		SS-23							■	■	■					
OM-26M	OM-26M					■	■	■	■	■	■	■	■	25 mm	Iron only Stainless : No (Uses magnet)	
Automatic	NJR	NJR-23					■	■	■	■					18 mm	Ferrous/non-ferrous (irrespective of material)
		NJRL-23					■	■	■	■					25 mm	
		NJR-45									■	■	■		18 mm	
		NJRL-45									■	■	■		25 mm	
	NSR	NSR	■	■	■	■	■	■	■	■					20 mm	
	NSRI	NSRI	■	■	■	■	■	■	■	■						
	OM-26R	OM-26R					■	■	■	■	■	■	■	■	25 mm	Iron only Stainless : No (Uses magnet)
Fixed quantity pick up	FM-36	FM-36								■	■	■	■	■	25 mm	Ferrous/non-ferrous (irrespective of material)

AUTOMATIC SCREW PRESENTERS FOR MANUAL AND MAGNETIC PICKING UP OF THE SCREW

NJ serie



Take out type

- ▶ Accepts screw diameters up to 5 mm.
- ▶ Large autonomy the hopper has a capacity of 150cc. increased by using an additional hopper.

Suitable screws

Model	Suitable \varnothing screw body (mm)	Suitable \varnothing screw head (mm)	Suitable H screw (mm)	Suitable washer \varnothing (mm)	Screw shaft length (mm)
NJ-2320	2 (1,8 to 2,1)	3 to 3,5	0,5 to 5,5	3 to 8	2,6 to 18
NJ-2323	2,3 (2,1 to 2,4)	3 to 4	0,5 to 5,5	3 to 8	2,9 to 18
NJ-2326	2,6 (2,4 to 2,7)	3,6 to 4,5	0,5 to 5,5	3 to 8	3,2 to 18
NJ-2330	3 (2,8 to 3,1)	4 to 5,5	0,5 to 5,5	4 to 8	3,6 to 18
NJ-4535	3,5 (3,3 to 3,7)	4,8 to 8	0,5 to 8	4,8 to 12	4,1 to 18
NJ-4540	4 (3,8 to 4,3)	5,4 to 8	0,5 to 8	5,4 to 12	4,6 to 18
NJ-4545	5 (4,8 to 5,1)	6,2 to 10	0,5 to 8	6,2 to 12	5,6 to 18

Dispensers

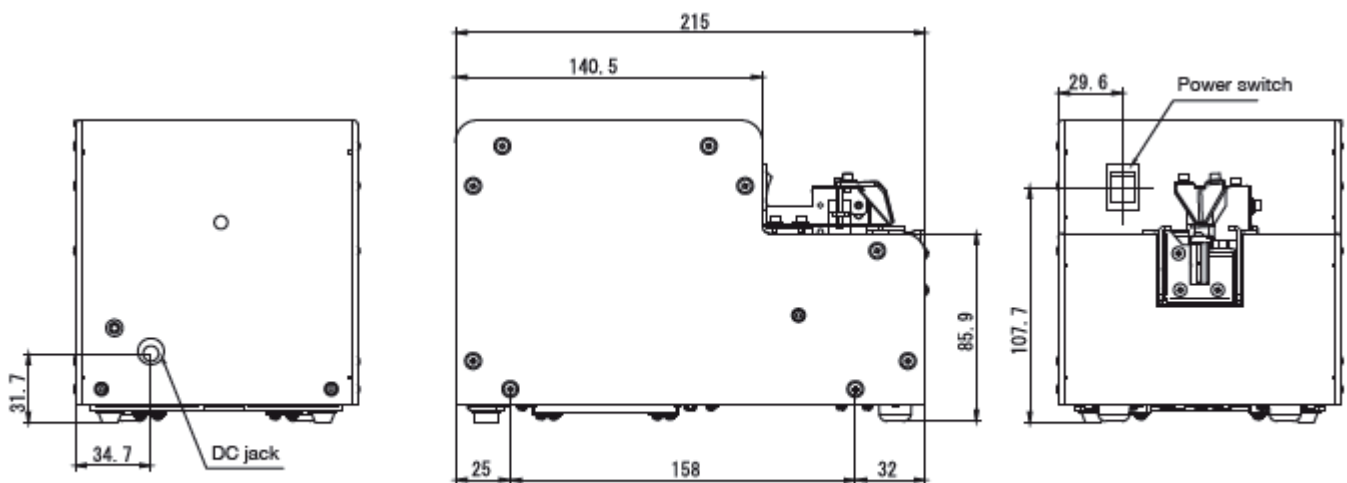
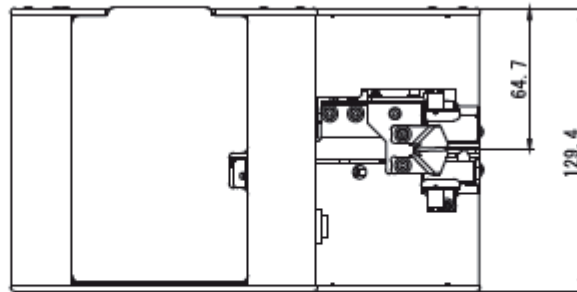
Model	Code
Dispenser OHTAKE NJ-2320 screw 2.0 mm	4-1510198
Dispenser OHTAKE NJ-2323 screw 2.3 mm	4-1510199
Dispenser OHTAKE NJ-2326 screw 2.6 mm	4-1510200
Dispenser OHTAKE NJ-2330 screw 3.0 mm	4-1510201
Dispenser OHTAKE NJ-4535 screw 3.5 mm	4-1510202
Dispenser OHTAKE NJ-4540 screw 4.0 mm	4-1510203
Dispenser OHTAKE NJ-4550 screw 5.0 mm	4-1510204

Additional rails

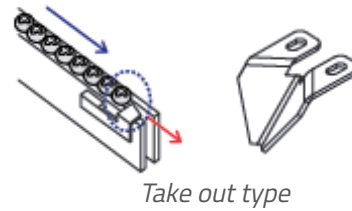
Model	Code
P/NJ23 & NJC 23 Rail R20 for screw 2.0 mm	4-1510188
P/NJ23 & NJC 23 Rail R23 for screw 2.3 mm	4-1510189
P/NJ23 & NJC 23 Rail R26 for screw 2.6 mm	4-1510190
P/NJ23 & NJC 23 Rail R30 for screw 3.0 mm	4-1510191
P/NJ45 & NJC 23 Rail R35 for screw 3.5 mm	4-1510192
P/NJ45 & NJC 23 Rail R40 for screw 4.0 mm	4-1510193
P/NJ45 & NJC 23 Rail R50 for screw 5.0 mm	4-1510194

Features

Model	External dimensions	Screw capacity	Overload protection/recovery circuit	External signal line
NJ-2320	129,4 x 215 x 139 (H)	ENV 150 CC	Yes	Yes
NJ-2323			Yes	Yes
NJ-2326			Yes	Yes
NJ-2330			Yes	Yes
NJ-4535			Yes	Yes
NJ-4540			Yes	Yes
NJ-4545			Yes	Yes



NJL serie



- ▶ Suitable for a longer range of screws than the NJ series, 25 mm instead of 18 mm.
- ▶ Suitable for a wide range of screw types.

Suitable screws

Model	Suitable \varnothing screw body (mm)	Suitable \varnothing screw head (mm)	Suitable H screw (mm)	Suitable washer \varnothing (mm)	Screw shaft length (mm)
NJL-2320	2 (1,8 to 2,1)	3 to 3,5	0,5 to 5,5	3 to 8	2,6 to 25
NJL-2323	2,3 (2,1 to 2,4)	3 to 4	0,5 to 5,5	3 to 8	2,9 to 25
NJL-2326	2,6 (2,4 to 2,7)	3,6 to 4,5	0,5 to 5,5	3 to 8	3,2 to 25
NJL-2330	3 (2,8 to 3,1)	4 to 5,5	0,5 to 5,5	4 to 8	3,6 to 25
NJL-4535	3,5 (3,3 to 3,7)	4,8 to 8	0,5 to 8	4,8 to 12	4,1 to 25
NJL-4540	4 (3,8 to 4,3)	5,4 to 8	0,5 to 8	5,4 to 12	4,6 to 25
NJL-4545	5 (4,8 to 5,1)	6,2 to 10	0,5 to 8	6,2 to 12	5,6 to 25

Dispensers

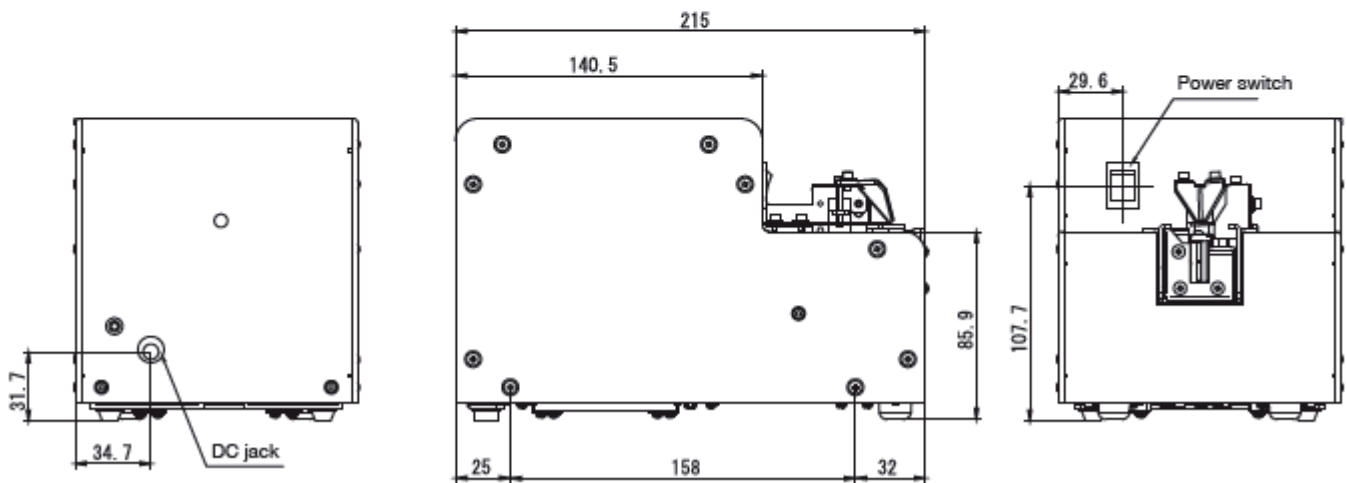
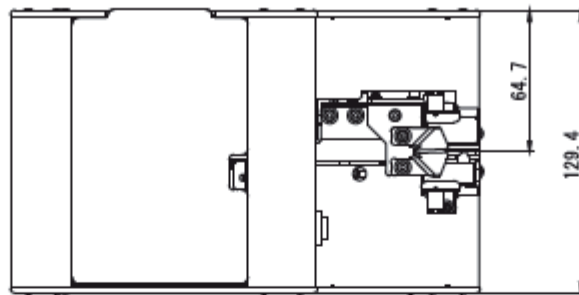
Model	Code
Dispenser OHTAKE NJL-2320 screw 2.0 mm	4-1510500
Dispenser OHTAKE NJL-2323 screw 2.3 mm	4-1510501
Dispenser OHTAKE NJL-2326 screw 2.6 mm	4-1510502
Dispenser OHTAKE NJL-2330 screw 3.0 mm	4-1510503
Dispenser OHTAKE NJL-4535 screw 3.5 mm	4-1510504
Dispenser OHTAKE NJL-4540 screw 4.0 mm	4-1510505
Dispenser OHTAKE NJL-4550 screw 5.0 mm	4-1510506

Additional rails

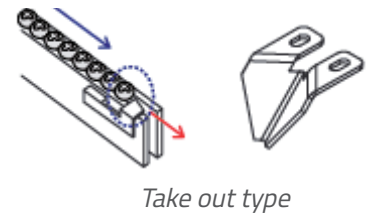
Model	Code
P/NJL-23 Rail RL20 for screw 2.0 mm	4-1500020
P/NJL-23 Rail RL23 for screw 2.3 mm	4-1500024
P/NJL-23 Rail RL26 for screw 2.6 mm	4-1500026
P/NJL-23 Rail RL30 for screw 3.0 mm	4-1500027
P/NJL-45 Rail RL35 for screw 3.5 mm	4-1500028
P/NJL-45 Rail RL40 for screw 4.0 mm	4-1500029
P/NJL-45 Rail RL50 for screw 5.0 mm	4-1500031

Features

Model	External dimensions	Screw capacity	Overload protection/recovery circuit	External signal line
NJL-2320	129,4 x 215 x 139 (H)	ENV 150 CC	Yes	Yes
NJL-2323			Yes	Yes
NJL-2326			Yes	Yes
NJL-2330			Yes	Yes
NJL-4535			Yes	Yes
NJL-4540			Yes	Yes
NJL-4545			Yes	Yes



NJC serie



- ▶ Display of the number of screws distributed (counter per increment).
- ▶ Display of the number of screws remaining to be dispensed (counter by decrementing from a configurable setpoint).

Suitable screws

Model	Suitable Ø screw body (mm)	Suitable Ø screw head (mm)	Suitable H screw (mm)	Suitable washer Ø (mm)	Screw shaft length (mm)
NJC-2320	2 (1,8 to 2,1)	3 to 3,5	0,5 to 5,5	3 to 8	2,6 to 18
NJC-2323	2,3 (2,1 to 2,4)	3 to 4	0,5 to 5,5	3 to 8	2,9 to 18
NJC-2326	2,6 (2,4 to 2,7)	3,6 to 4,5	0,5 to 5,5	3 to 8	3,2 to 18
NJC-2330	3 (2,8 to 3,1)	4 to 5,5	0,5 to 5,5	4 to 8	3,6 to 18
NJC-4535	3,5 (3,3 to 3,7)	4,8 to 8	0,5 to 8	4,8 to 12	4,1 to 18
NJC-4540	4 (3,8 to 4,3)	5,4 to 8	0,5 to 8	5,4 to 12	4,6 to 18
NJC-4545	5 (4,8 to 5,1)	6,2 to 10	0,5 to 8	6,2 to 12	5,6 to 18

Dispensers

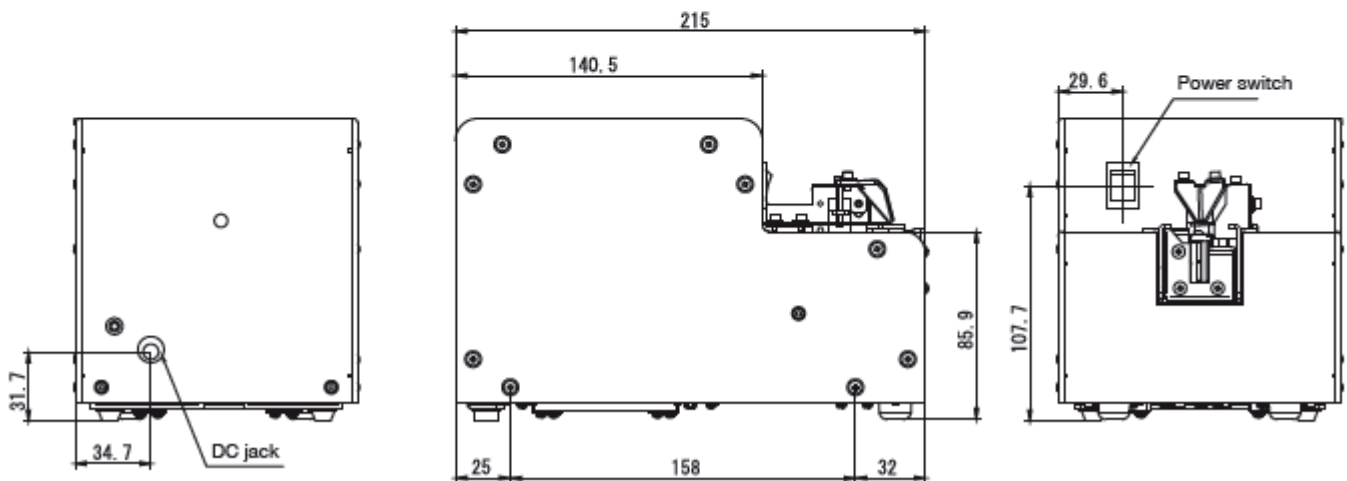
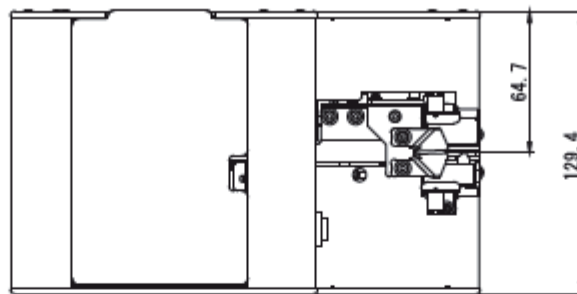
Model	Code
Dispenser OHTAKE NJC-2320 screw 2.0 mm	4-1510109
Dispenser OHTAKE NJC-2323 screw 2.3 mm	4-1510110
Dispenser OHTAKE NJC-2326 screw 2.6 mm	4-1510111
Dispenser OHTAKE NJC-2330 screw 3.0 mm	4-1510112
Dispenser OHTAKE NJC-4535 screw 3.5 mm	4-1510113
Dispenser OHTAKE NJC-4540 screw 4.0 mm	4-1510114
Dispenser OHTAKE NJC-4550 screw 5.0 mm	4-1510115

Additional rails

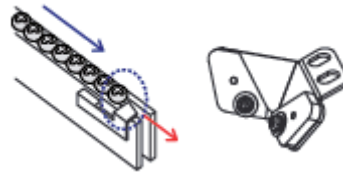
Model	Code
P/NJ23 & NJC23 Rail R20 for screw 2.0 mm	4-1510188
P/NJ23 & NJC23 Rail R23 for screw 2.3 mm	4-1510189
P/NJ23 & NJC23 Rail R26 for screw 2.6 mm	4-1510190
P/NJ23 & NJC23 Rail R30 for screw 3.0 mm	4-1510191
P/NJ45 & NJC45 Rail R35 for screw 3.5 mm	4-1510192
P/NJ45 & NJC45 Rail R40 for screw 4.0 mm	4-1510193
P/NJ45 & NJC45 Rail R50 for screw 5.0 mm	4-1510194

Features

Model	External dimensions	Screw capacity	Overload protection/recovery circuit	External signal line
NJC-2320	129,4 x 215 x 139 (H)	ENV 150 CC	Yes	Yes
NJC-2323			Yes	Yes
NJC-2326			Yes	Yes
NJC-2330			Yes	Yes
NJC-4535			Yes	Yes
NJC-4540			Yes	Yes
NJC-4545			Yes	Yes



NSB serie



Take out type

- ▶ The exchange of rails makes it possible to adapt to different screw diameters with a single unit.
- ▶ Reduced size to save space on the workstation.

Suitable screws

Model	Suitable \varnothing screw body (mm)	Suitable \varnothing screw head (mm)	Suitable H screw (mm)	Screw shaft length (mm)
NSB-10	1 (0,9 to 0,95)	1,2 to 4,5	0,35 to 1	1,6 to 10
NSB-12	1,2 (1,1 to 1,15)	1,4 to 4,5	0,35 to 1	1,8 to 10
NSB-14	1,4 (1,3 to 1,4)	1,7 to 4,5	0,35 to 1	2 to 10
NSB-17	1,7 (1,6 to 1,7)	2 to 4,5	0,35 to 1	2,3 to 10
NSB-20	2 (1,9 to 2,1)	2,4 to 6	0,35 to 4,5	2,6 to 20
NSB-23	2,3 (2,2 to 2,4)	2,7 to 6	0,35 to 4,5	2,9 to 20
NSB-26	2,6 (2,5 to 2,7)	3 to 6	0,35 to 4,5	3,2 to 20
NSB-30	3 (2,9 to 3,2)	3,5 to 6	0,35 to 4,5	3,6 to 20

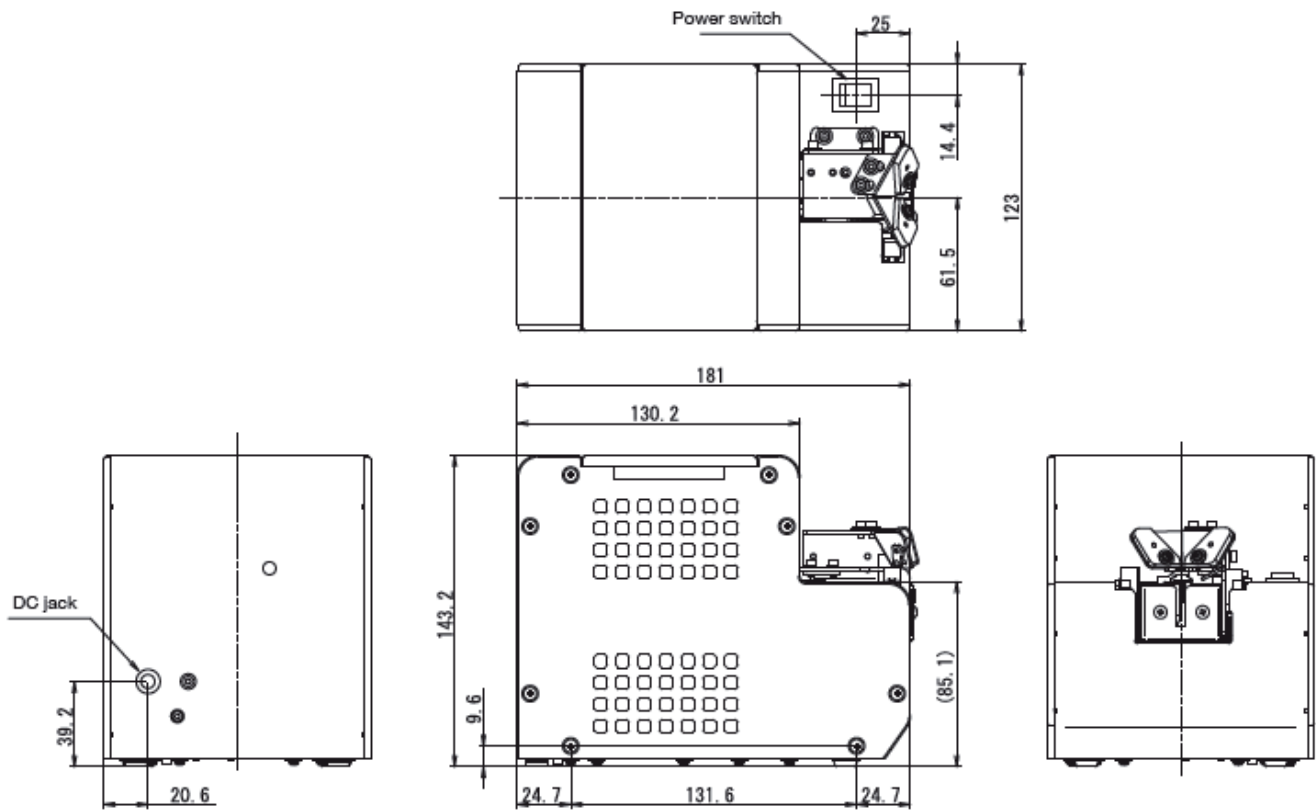
Dispensers

Additional rails

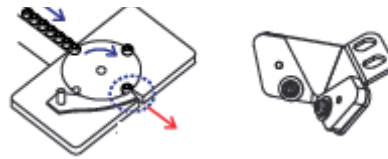
Model	Code	Model	Code
Dispenser OHTAKE NSB-10 screw 1.0 mm	4-1510574	P/NSB & NSBC Rail SR10 for screw 1.0 mm	4-1510549
Dispenser OHTAKE NSB-12 screw 1.2 mm	4-1510575	P/NSB & NSBC Rail SR12 for screw 1.2 mm	4-1510550
Dispenser OHTAKE NSB-14 screw 1.4 mm	4-1510576	P/NSB & NSBC Rail SR14 for screw 1.4 mm	4-1510551
Dispenser OHTAKE NSB-17 screw 1.7 mm	4-1510577	P/NSB & NSBC Rail SR17 for screw 1.7 mm	4-1510552
Dispenser OHTAKE NSB-20 screw 2.0 mm	4-1510578	P/NSB & NSBC Rail SR20 for screw 2.0 mm	4-1510553
Dispenser OHTAKE NSB-23 screw 2.3 mm	4-1510579	P/NSB & NSBC Rail SR23 for screw 2.3 mm	4-1510554
Dispenser OHTAKE NSB-26 screw 2.6 mm	4-1510580	P/NSB & NSBC Rail SR26 for screw 2.6 mm	4-1510555
Dispenser OHTAKE NSB-30 screw 3.0 mm	4-1510581	P/NSB & NSBC Rail SR30 for screw 3.0 mm	4-1510556

Features

Model	External dimensions	Screw capacity	Overload protection/recovery circuit	External signal line
NSB-10	123 x 181 x 144 (H)	ENV 80 CC	Yes	Yes
NSB-12			Yes	Yes
NSB-14			Yes	Yes
NSB-17			Yes	Yes
NSB-20			Yes	Yes
NSB-23			Yes	Yes
NSB-26			Yes	Yes
NSB-30			Yes	Yes



NSBI serie



Take out type

- ▶ High Precision.
- ▶ Rotary separator allowing a high speed of distribution up to 1 screw every 0.9 sec.
- ▶ Increased durability thanks to a rotary separator.

Suitable screws

Model	Suitable Ø screw body (mm)	Suitable Ø screw head (mm)	Suitable H screw (mm)	Screw shaft length (mm)
NSBI-10	1 (0,9 to 0,95)	1,2 to 4,5	0,35 to 1	1,6 to 10
NSBI-12	1,2 (1,1 to 1,15)	1,4 to 4,5	0,35 to 1	1,8 to 10
NSBI-14	1,4 (1,3 to 1,4)	1,7 to 4,5	0,35 to 1	2 to 10
NSBI-17	1,7 (1,6 to 1,7)	2 to 4,5	0,35 to 1	2,3 to 10
NSBI-20	2 (1,9 to 2,1)	2,4 to 6	0,35 to 4,5	2,6 to 20
NSBI-23	2,3 (2,2 to 2,4)	2,7 to 6	0,35 to 4,5	2,9 to 20
NSBI-26	2,6 (2,5 to 2,7)	3 to 6	0,35 to 4,5	3,2 to 20
NSBI-30	3 (2,9 to 3,2)	3,5 to 6	0,35 to 4,5	3,6 to 20

Dispensers

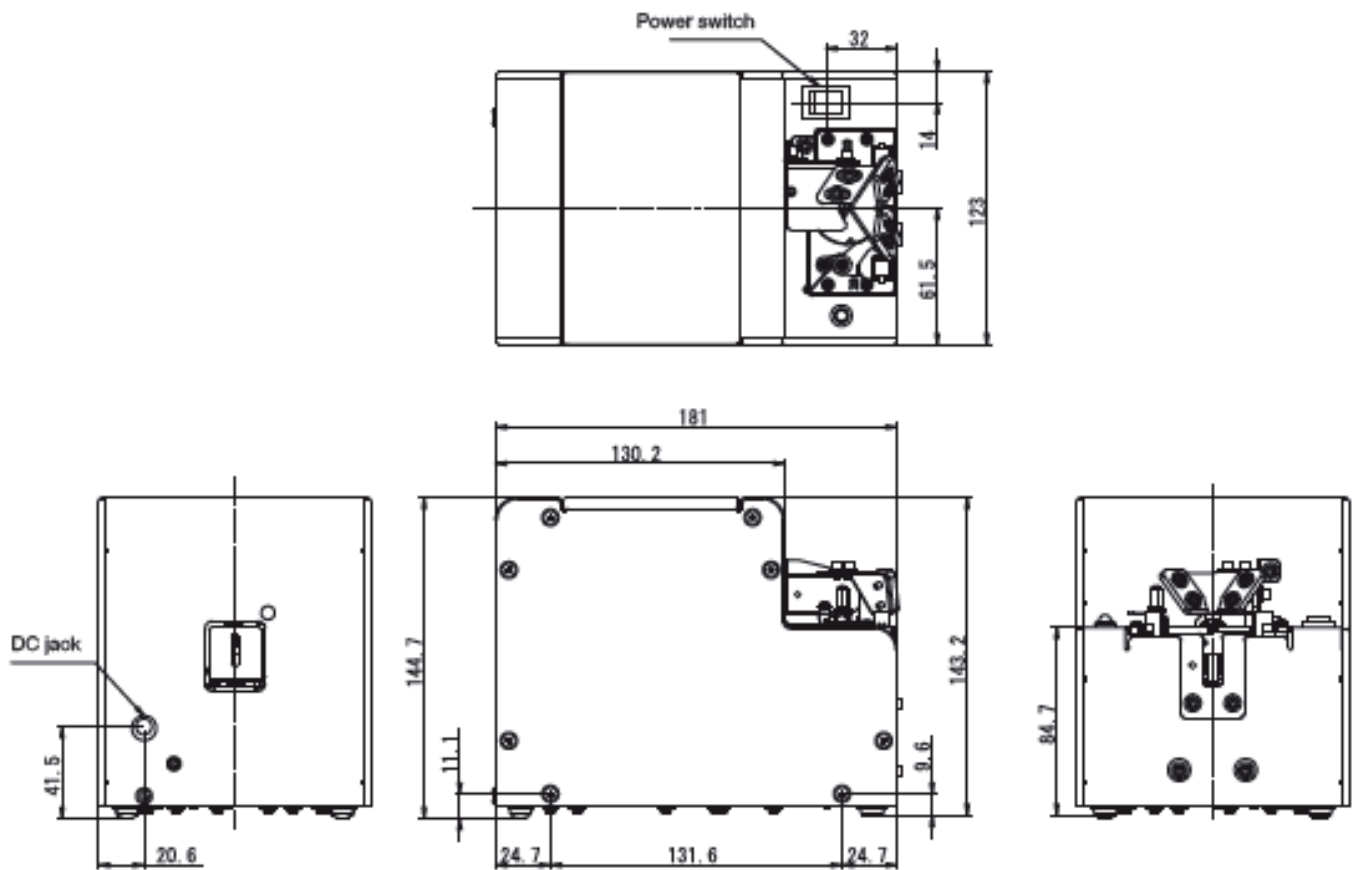
Model	Code
Dispenser OHTAKE NSBI-10 screw 1.0 mm	4-1510616
Dispenser OHTAKE NSBI-12 screw 1.2 mm	4-1510617
Dispenser OHTAKE NSBI-14 screw 1.4 mm	4-1510618
Dispenser OHTAKE NSBI-17 screw 1.7 mm	4-1510619
Dispenser OHTAKE NSBI-20 screw 2.0 mm	4-1510620
Dispenser OHTAKE NSBI-23 screw 2.3 mm	4-1510621
Dispenser OHTAKE NSBI-26 screw 2.6 mm	4-1510622
Dispenser OHTAKE NSBI-30 screw 3.0 mm	4-1510623

Additional rails

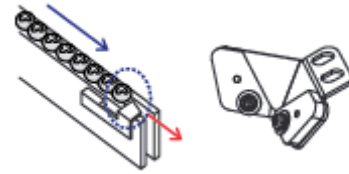
Model	Code
P/NSBI Rail BI10 for screw 1.0 mm	4-1510624
P/NSBI Rail BI12 for screw 1.2 mm	4-1510625
P/NSBI Rail BI14 for screw 1.4 mm	4-1510626
P/NSBI Rail BI17 for screw 1.7 mm	4-1510627
P/NSBI Rail BI20 for screw 2.0 mm	4-1510628
P/NSBI Rail BI23 for screw 2,3 mm	4-1510629
P/NSBI Rail BI26 for screw 2.6 mm	4-1510630
P/NSBI Rail BI30 for screw 3.0 mm	4-1510631

Features

Model	External dimensions	Screw capacity	Overload protection/recovery circuit	External signal line
NSBI-10	123 x 181 x 145 (H)	ENV 80 CC	Yes	Yes
NSBI-12			Yes	Yes
NSBI-14			Yes	Yes
NSBI-17			Yes	Yes
NSBI-20			Yes	Yes
NSBI-23			Yes	Yes
NSBI-26			Yes	Yes
NSBI-30			Yes	Yes



NSBC serie



Take out type

- ▶ Display of the number of screws distributed (counter per increment).
- ▶ Display of the number of screws remaining to be dispensed (counter by decrementing from a configurable setpoint).

Suitable screws

Model	Suitable Ø screw body (mm)	Suitable Ø screw head (mm)	Suitable H screw (mm)	Screw shaft length (mm)
NSBC-10	1 (0,9 à 0,95)	1,2 à 4,5	0,35 à 1	1,6 à 10
NSBC-12	1,2 (1,1 à 1,15)	1,4 à 4,5	0,35 à 1	1,8 à 10
NSBC-14	1,4 (1,3 à 1,4)	1,7 à 4,5	0,35 à 1	2 à 10
NSBC-17	1,7 (1,6 à 1,7)	2 à 4,5	0,35 à 1	2,3 à 10
NSBC-20	2 (1,9 à 2,1)	2,4 à 6	0,35 à 4,5	2,6 à 20
NSBC-23	2,3 (2,2 à 2,4)	2,7 à 6	0,35 à 4,5	2,9 à 20
NSBC-26	2,6 (2,5 à 2,7)	3 à 6	0,35 à 4,5	3,2 à 20
NSBC-30	3 (2,9 à 3,2)	3,5 à 6	0,35 à 4,5	3,6 à 20

Dispensers

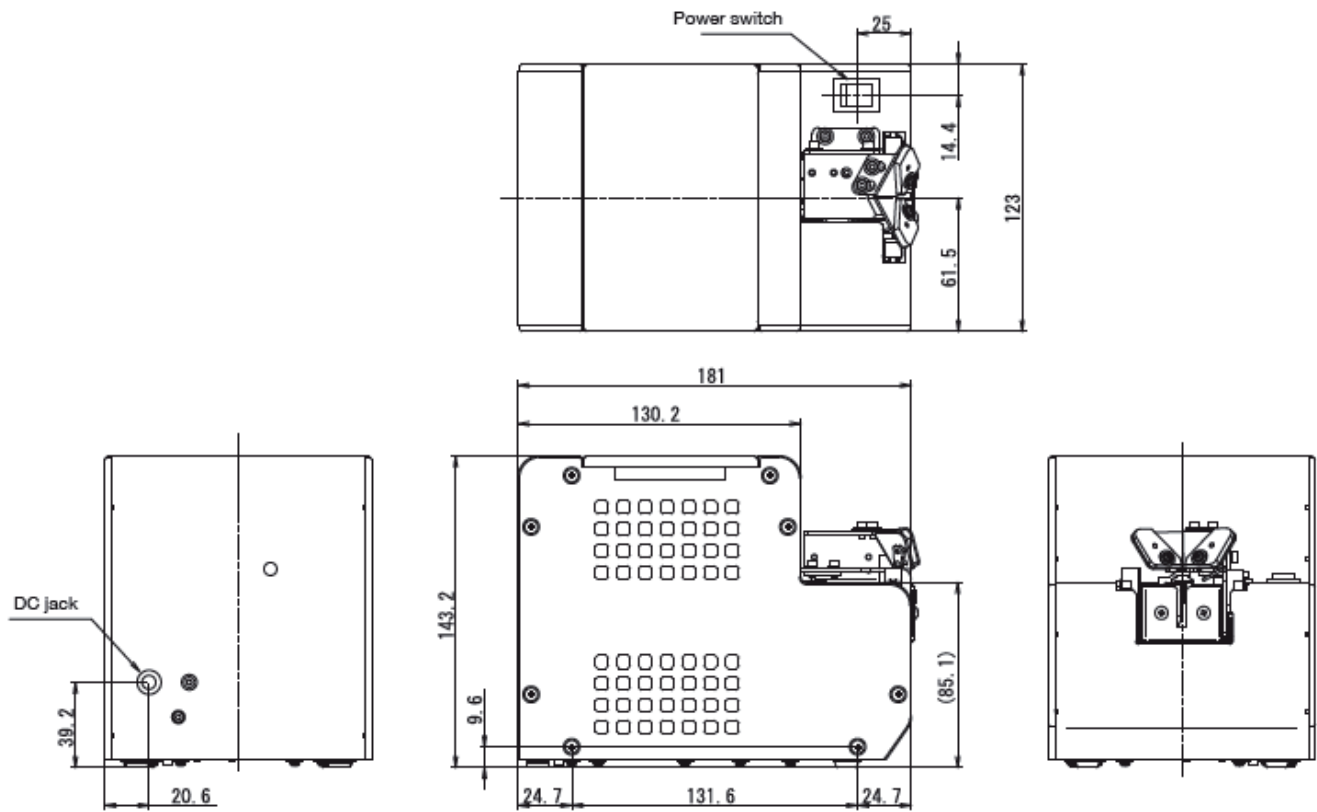
Model	Code
Dispenser OHTAKE NSBC-10 screw 1.0 mm	4-1510648
Dispenser OHTAKE NSBC-12 screw 1.2 mm	4-1510649
Dispenser OHTAKE NSBC-14 screw 1.4 mm	4-1510650
Dispenser OHTAKE NSBC-17 screw 1.7 mm	4-1510651
Dispenser OHTAKE NSBC-20 screw 2.0 mm	4-1510652
Dispenser OHTAKE NSBC-23 screw 2.3 mm	4-1510653
Dispenser OHTAKE NSBC-26 screw 2.6 mm	4-1510654
Dispenser OHTAKE NSBC-30 screw 3.0 mm	4-1510655

Additional rails

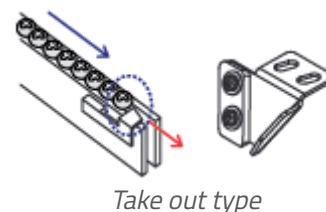
Model	Code
P/NSB & NSBC Rail BI10 for screw 1.0 mm	4-1510549
P/NSB & NSBC Rail BI12 for screw 1.2 mm	4-1510550
P/NSB & NSBC Rail BI14 for screw 1.4 mm	4-1510551
P/NSB & NSBC Rail BI17 for screw 1.7 mm	4-1510552
P/NSB & NSBC Rail BI20 for screw 2.0 mm	4-1510553
P/NSB & NSBC Rail BI23 for screw 2,3 mm	4-1510554
P/NSB & NSBC Rail BI26 for screw 2.6 mm	4-1510555
P/NSB & NSBC Rail BI30 for screw 3.0 mm	4-1510556

Features

Model	External dimensions	Screw capacity	Overload protection/recovery circuit	External signal line
NSBC-10	123 x 181 x 144 (H)	ENV 80 CC	Yes	Yes
NSBC-12			Yes	Yes
NSBC-14			Yes	Yes
NSBC-17			Yes	Yes
NSBC-20			Yes	Yes
NSBC-23			Yes	Yes
NSBC-26			Yes	Yes
NSBC-30			Yes	Yes



SS serie



- ▶ Small width for installation next to each other.
- ▶ Suitable for screws with a thin head.
- ▶ Adjustable conveying speed.

Suitable screws

Model	Suitable \varnothing screw body (mm)	Suitable \varnothing screw head (mm)	Suitable H screw (mm)	Suitable washer \varnothing (mm)	Screw shaft length (mm)
SS-1210	1 (0,9 to 0,95)	1,2 to 2	0,35 to 1	NA	1,6 to 10
SS-1212	1,2 (1,1 to 1,15)	1,4 to 2,3	0,35 to 1	NA	1,8 to 10
SS-1214	1,4 (1,3 to 1,4)	1,7 to 2,5	0,35 to 1	NA	2 to 10
SS-1217	1,7 (1,6 to 1,7)	2 to 3	0,35 to 1	NA	2,3 to 10
SS-1220	2 (1,9 to 2,1)	2,4 to 4	0,35 to 1,3	2,4 to 6	2,6 to 16
SS-2323	2,3 (2,2 to 2,4)	2,7 to 4	0,35 to 1,5	2,7 to 7	2,9 to 16
SS-2326	2,6 (2,5 to 2,7)	3 to 4,5	0,35 to 1,7	3 to 7,5	3,2 to 16
SS-2330	3 (2,9 to 3,2)	5 to 5,5	0,35 to 2	3,5 to 8	3,6 to 16

Dispensers

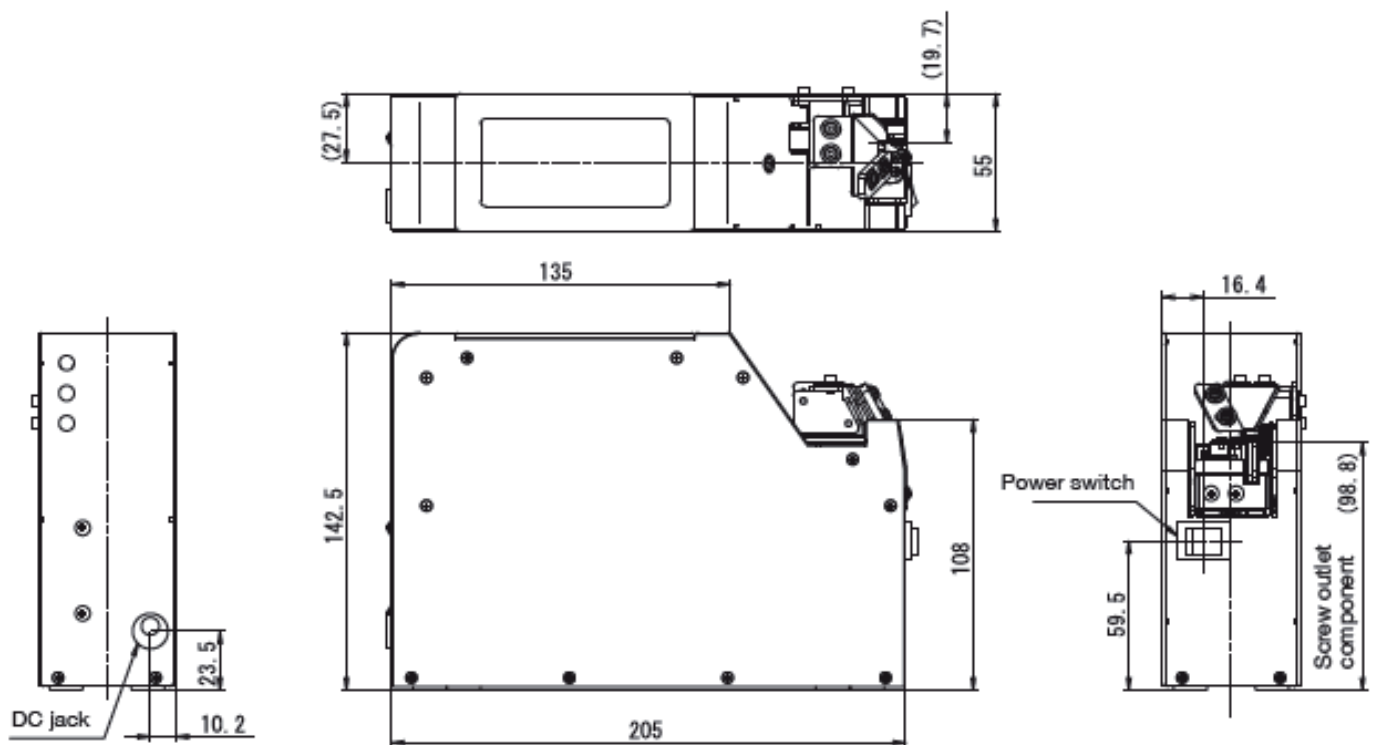
Model	Code
Dispenser OHTAKE SS-1210 screw 1.0 mm	4-1510170
Dispenser OHTAKE SS-1212 screw 1.2 mm	4-1510171
Dispenser OHTAKE SS-1214 screw 1.4 mm	4-1510172
Dispenser OHTAKE SS-1217 screw 1.7 mm	4-1510173
Dispenser OHTAKE SS-1220 screw 2.0 mm	4-1510174
Dispenser OHTAKE SS-2323 screw 2.3 mm	4-1510175
Dispenser OHTAKE SS-2326 screw 2.6 mm	4-1510176
Dispenser OHTAKE SS-2330 screw 3.0 mm	4-1510177

Additional rails

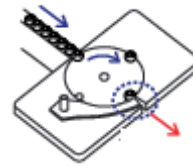
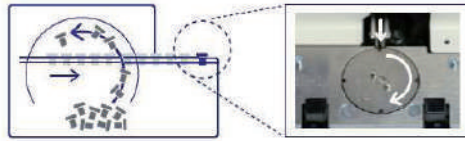
Model	Code
P/SS-12 Rail WR10 for screw 1.0 mm	4-1510210
P/SS-12 Rail WR12 for screw 1.2 mm	4-1510211
P/SS-12 Rail WR14 for screw 1.4 mm	4-1510212
P/SS-12 Rail WR17 for screw 1.7 mm	4-1510213
P/SS-12 Rail WR20 for screw 2.0 mm	4-1510214
P/SS-12 Rail WR23 for screw 2.3 mm	4-1510215
P/SS-12 Rail WR26 for screw 2.6 mm	4-1510216
P/SS-12 Rail WR30 for screw 3.0 mm	4-1510217

Features

Model	External dimensions	Screw capacity	Overload protection/recovery circuit	External signal line
SS-1210	55 x 205 x 143 (H)	ENV 40 CC	Yes	Yes
SS-1212			Yes	Yes
SS-1214			Yes	Yes
SS-1217			Yes	Yes
SS-1220			Yes	Yes
SS-2323			Yes	Yes
SS-2326			Yes	Yes
SS-2330			Yes	Yes



OM-26M serie



Take out type

- ▶ Rotative separator allowing a high speed of distribution up to 1 screw every 0.9 sec.
- ▶ High capacity up to 300 CC (about 780 M3 x 12 screws).
- ▶ Brushless motor for long life.

Suitable screws

Model	Suitable Ø screw body (mm)	Suitable Ø screw head (mm)	Suitable H screw (mm)	Suitable washer Ø (mm)	Screw shaft length (mm)
OM-26M20	2 (1,9 to 2,1)	2,4 to 6	0,35 to 6	2,4 to 10	2,6 to 25
OM-26M23	2,3 (2,2 to 2,4)	2,7 to 6	0,35 to 6	2,7 to 10	2,9 to 25
OM-26M26	2,6 (2,5 to 2,7)	3 to 6	0,35 to 6	3 to 10	3,2 to 25
OM-26M30	3 (2,9 to 3,2)	3,5 to 6	0,35 to 6	3,5 to 11	3,6 to 25
OM-26M35	3,5 (3,4 to 3,7)	4 to 8	0,35 to 6,5	4 to 11	4,1 to 25
OM-26M40	4 (3,8 to 4,2)	4,5 to 8	0,35 to 6,5	4,5 to 12	4,6 to 25
OM-26M50	5 (4,8 to 5,2)	5,5 to 10	0,35 to 7	5,5 to 12	5,6 to 25
OM-26M60	6 (5,8 to 6,2)	6,5 to 11	0,35 to 7,5	6,5 to 12	6,6 to 25

Dispensers

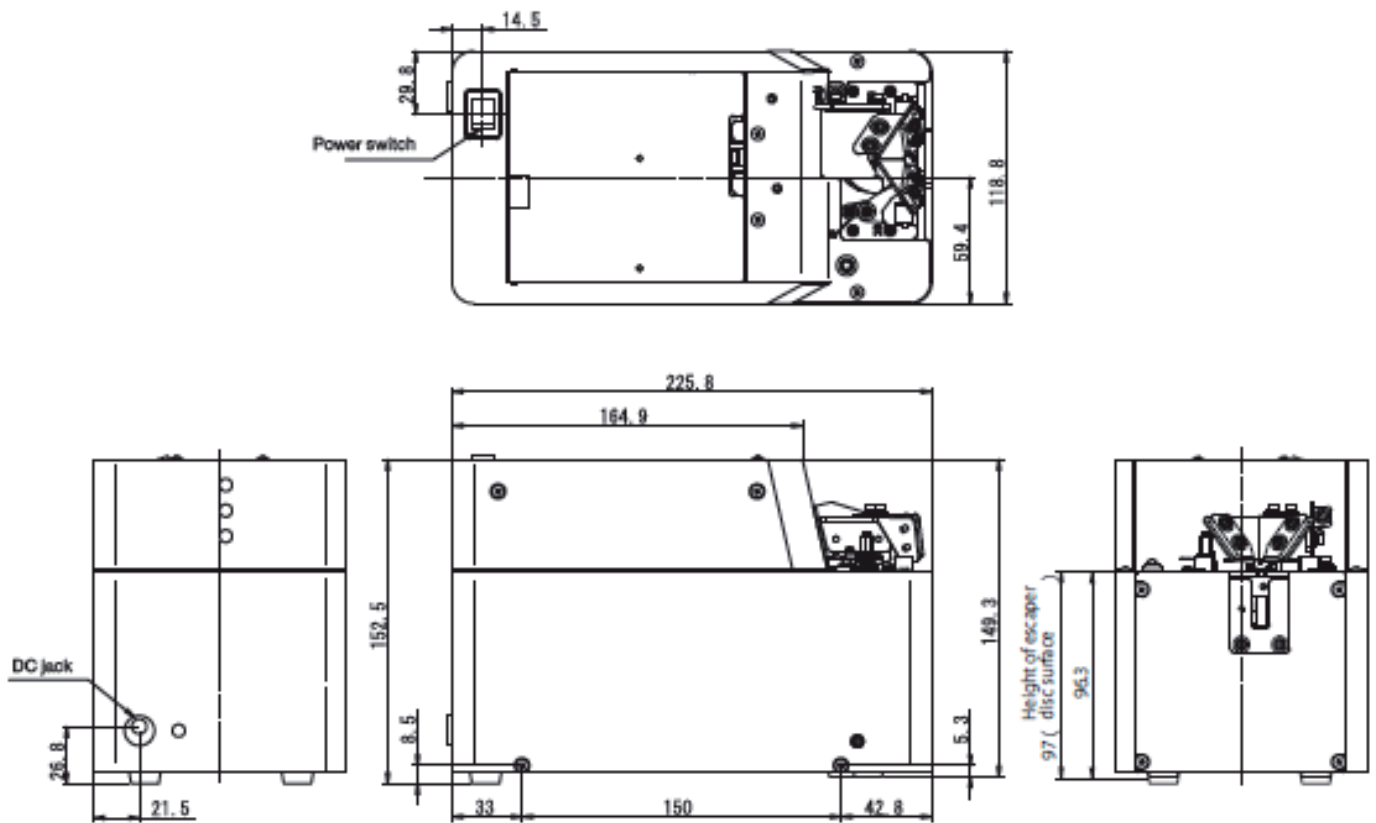
Model	Code
Dispenser OHTAKE OM-26M20 screw 2.0 mm	4-1510600
Dispenser OHTAKE OM-26M23 screw 2.3 mm	4-1510601
Dispenser OHTAKE OM-26M26 screw 2.6 mm	4-1510602
Dispenser OHTAKE OM-26M30 screw 3.0 mm	4-1510603
Dispenser OHTAKE OM-26M35 screw 3.5 mm	4-1510604
Dispenser OHTAKE OM-26M40 screw 4.0 mm	4-1510605
Dispenser OHTAKE OM-26M50 screw 5.0 mm	4-1510606
Dispenser OHTAKE OM-26M60 screw 6.0 mm	4-1510607

Additional rails

Model	Code
P/OM-26M Rail OMM20 for screw 2.0 mm	4-1510608
P/OM-26M Rail OMM23 for screw 2.3 mm	4-1510609
P/OM-26M Rail OMM26 for screw 2.6 mm	4-1510610
P/OM-26M Rail OMM30 for screw 3.0 mm	4-1510611
P/OM-26M Rail OMM35 for screw 3.5 mm	4-1510612
P/OM-26M Rail OMM40 for screw 4.0 mm	4-1510613
P/OM-26M Rail OMM50 for screw 5.0 mm	4-1510614
P/OM-26M Rail OMM60 for screw 6.0 mm	4-1510615

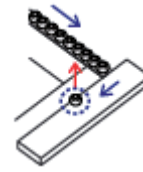
Features

Model	External dimensions	Screw capacity	Overload protection/recovery circuit	External signal line
OM-26M20	119 x 226 x 152 (H)	ENV 300 CC	Yes	Yes
OM-26M23			Yes	Yes
OM-26M26			Yes	Yes
OM-26M30			Yes	Yes
OM-26M35			Yes	Yes
OM-26M40			Yes	Yes
OM-26M50			Yes	Yes
OM-26M60			Yes	Yes



AUTOMATIC SCREW PRESENTERS FOR SCREW PICKING UP BY VACUUM OR FOR USE IN AUTOMATIC STATIONS

NJR serie



- ▶ Suitable for robotic applications.
- ▶ Side separation of the screw.
- ▶ Allows stable presentation of SW screws or screws with washers.

Suitable screws

Model	Suitable \varnothing screw body (mm)	Suitable \varnothing screw head (mm)	Suitable H screw (mm)	Suitable washer \varnothing (mm)	Screw shaft length (mm)
NJR 20	2 (1,8 to 2,1)	3 to 3,5	0,5 to 5,5	3 to 9,8	2,6 to 18
NJR 23	2,3 (2,1 to 2,4)	3 to 4	0,5 to 5,5	3 to 9,8	2,9 to 18
NJR 26	2,6 (2,4 to 2,7)	3,6 to 4,5	0,5 to 5,5	3,6 to 9,8	3,2 to 18
NJR 30	3 (2,8 to 3,2)	4 to 5,5	0,5 to 5,5	4 to 9,8	3,6 to 18
NJR 35	3,5 (3,3 to 3,7)	4,8 to 8	0,5 to 8	4,8 to 11,5	4,1 to 18
NJR 40	4 (3,8 to 4,3)	5,4 to 8	0,5 to 8	5,4 to 11,5	4,6 to 18
NJR 45	5 (4,8 to 5,1)	6,2 to 10	0,5 to 8	6,2 to 11,5	5,6 to 18

Dispensers

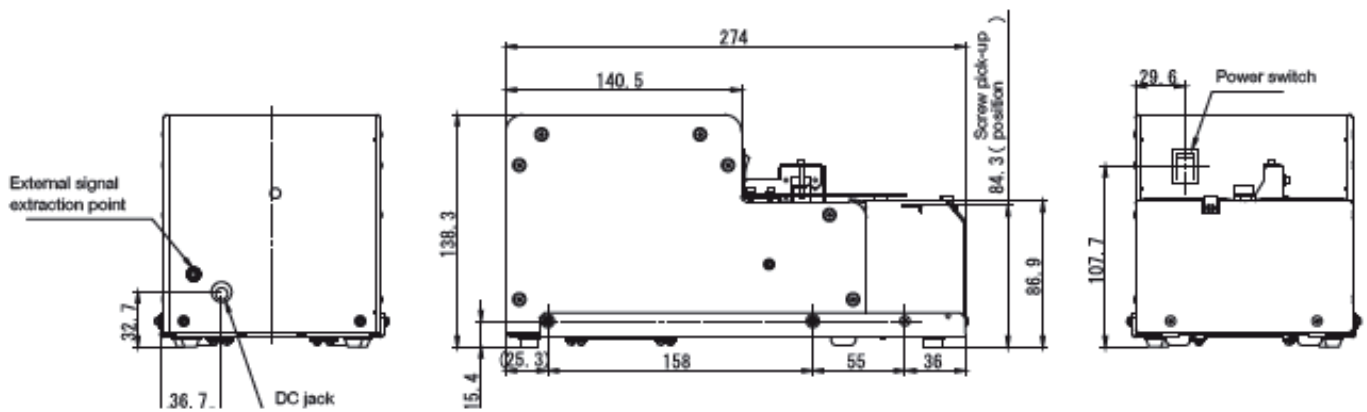
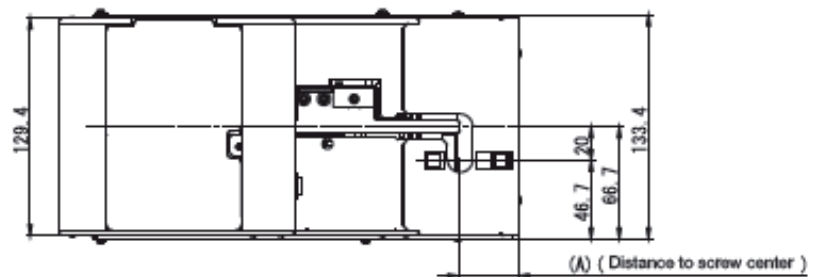
Model	Code
Dispenser OHTAKE NJR23 screw 2.0 mm	4-1510230
Dispenser OHTAKE NJR23 screw 2.3 mm	4-1510231
Dispenser OHTAKE NJR23 screw 2.6 mm	4-1510232
Dispenser OHTAKE NJR23 screw 3.0 mm	4-1510233
Dispenser OHTAKE NJR45 screw 3.5 mm	4-1510234
Dispenser OHTAKE NJR45 screw 4.0 mm	4-1510235
Dispenser OHTAKE NJR45 screw 5.0 mm	4-1510236

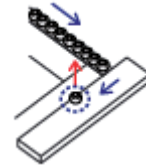
Additional rails

Model	Code
P/NJR-23 Rail RR20 for screw 2.0 mm	4-1510567
P/NJR-23 Rail RR23 for screw 2.3 mm	4-1510568
P/NJR-23 Rail RR26 for screw 2.6 mm	4-1510569
P/NJR-23 Rail RR30 for screw 3.0 mm	4-1510570
P/NJR-45 Rail RR35 for screw 3.5 mm	4-1510571
P/NJR-45 Rail RR40 for screw 4.0 mm	4-1510572
P/NJR-45 Rail RR50 for screw 5.0 mm	4-1510573

Features

Model	External dimensions	Screw capacity	Overload protection/recovery circuit	External signal line
NJR-20	134 x 274 x 139 (H)	ENV 150 CC	Yes	Yes
NJR-23			Yes	Yes
NJR-26			Yes	Yes
NJR-30			Yes	Yes
NJR-35			Yes	Yes
NJR-40			Yes	Yes
NJR-45			Yes	Yes





- ▶ Suitable for robotic applications.
- ▶ Side separation of the screw.
- ▶ Allows stable presentation of SW screws or screws with washers.
- ▶ Screw length up to 25 mm.

Suitable screws

Model	Suitable Ø screw body (mm)	Suitable Ø screw head (mm)	Suitable H screw (mm)	Suitable washer Ø (mm)	Screw shaft length (mm)
NJRL 20	2 (1,8 to 2,1)	3 to 3,5	0,5 to 5,5	3 to 9,8	2,6 to 25
NJRL 23	2,3 (2,1 to 2,4)	3 to 4	0,5 to 5,5	3 to 9,8	2,9 to 25
NJRL 26	2,6 (2,4 to 2,7)	3,6 to 4,5	0,5 to 5,5	3,6 to 9,8	3,2 to 25
NJRL 30	3 (2,8 to 3,2)	4 to 5,5	0,5 to 5,5	4 to 9,8	3,6 to 25
NJRL 35	3,5 (3,3 to 3,7)	4,8 to 8	0,5 to 8	4,8 to 11,5	4,1 to 25
NJRL 40	4 (3,8 to 4,3)	5,4 to 8	0,5 to 8	5,4 to 11,5	4,6 to 25
NJRL 45	5 (4,8 to 5,1)	6,2 to 10	0,5 to 8	6,2 to 11,5	5,6 to 25

Dispensers

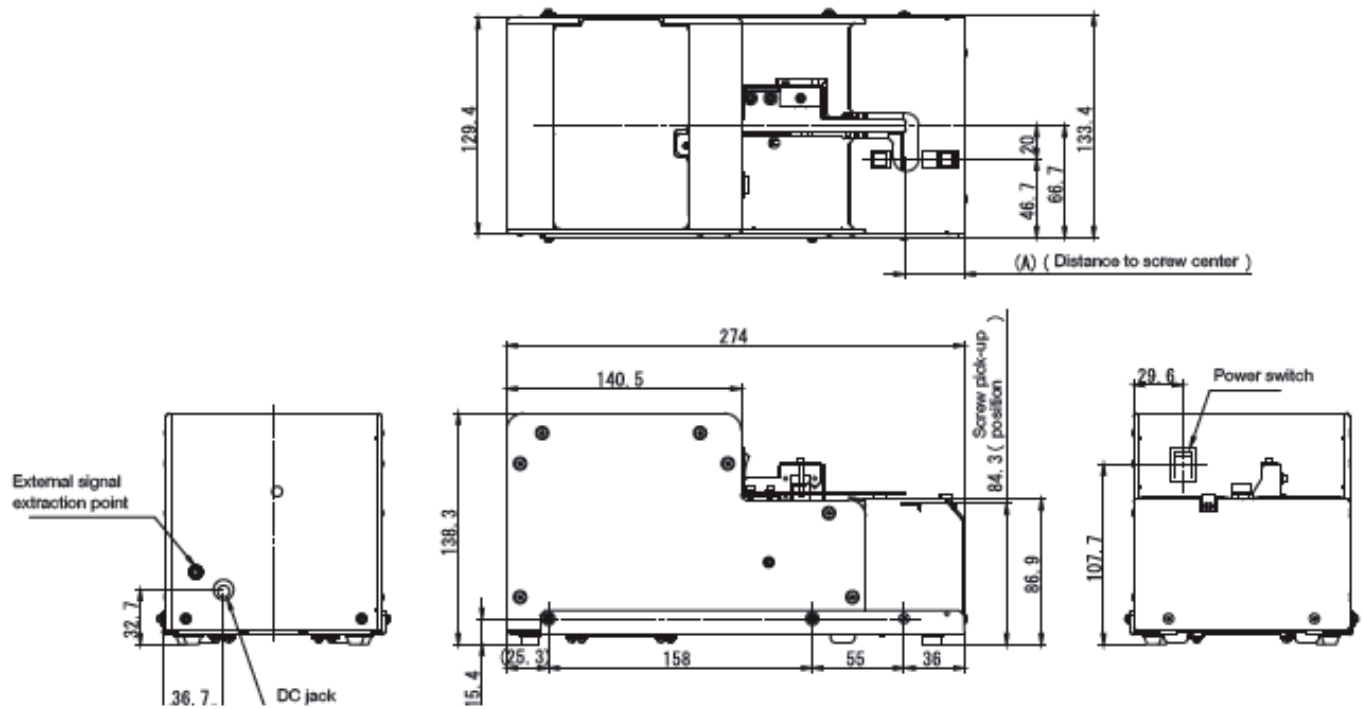
Model	Code
Dispenser OHTAKE NJRL-2320 screw 2.0 mm	4-1510507
Dispenser OHTAKE NJRL-2323 screw 2.3 mm	4-1510508
Dispenser OHTAKE NJRL-2326 screw 2.6 mm	4-1510509
Dispenser OHTAKE NJRL-2330 screw 3.0 mm	4-1510510
Dispenser OHTAKE NJRL-4535 screw 3.5 mm	4-1510511
Dispenser OHTAKE NJRL-4540 screw 4.0 mm	4-1510513
Dispenser OHTAKE NJRL-4550 screw 5.0 mm	4-1510514

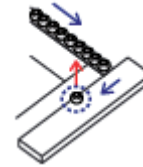
Additional rails

Model	Code
P/NJRL-23 Rail RRL20 for screw 2.0 mm	4-1500034
P/NJRL-23 Rail RRL23 for screw 2.3 mm	4-1500037
P/NJRL-23 Rail RRL26 for screw 2.6 mm	4-1500038
P/NJRL-23 Rail RRL30 for screw 3.0 mm	4-1500039
P/NJRL-45 Rail RRL35 for screw 3.5 mm	4-1500040
P/NJRL-45 Rail RRL40 for screw 4.0 mm	4-1500041
P/NJRL-45 Rail RRL50 for screw 5.0 mm	4-1500043

Features

Model	External dimensions	Screw capacity	Overload protection/recovery circuit	External signal line
NJRL-20	134 x 274 x 139 (H)	ENV 150 CC	Yes	Yes
NJRL-23			Yes	Yes
NJRL-26			Yes	Yes
NJRL-30			Yes	Yes
NJRL-35			Yes	Yes
NJRL-40			Yes	Yes
NJRL-45			Yes	Yes





- ▶ Suitable for robotic applications.
- ▶ Side separation of the screw.

Suitable screws

Model	Suitable Ø screw body (mm)	Suitable Ø screw head (mm)	Suitable H screw (mm)	Screw shaft length (mm)
NSR 10	1 (0,9 to 0,95)	1,2 to 4,5	0,35 to 1	1,6 to 10
NSR 12	1,2 (1,1 to 1,15)	1,4 to 4,5	0,35 to 1	1,8 to 10
NSR 14	1,4 (1,3 to 1,4)	1,7 to 4,5	0,35 to 1	2 to 10
NSR 17	1,7 (1,6 to 1,7)	2 to 4,5	0,35 to 1	2,3 to 10
NSR 20	2 (1,9 to 2,1)	2,4 to 6	0,35 to 4,5	2,6 to 20
NSR 23	2,3 (2,2 to 2,4)	2,7 to 6	0,35 to 4,5	2,9 to 20
NSR 26	2,6 (2,5 to 2,7)	3 to 6	0,35 to 4,5	3,2 to 20
NSR 30	3 (2,9 to 3,2)	3,5 to 6	0,35 to 4,5	3,6 to 20

Dispensers

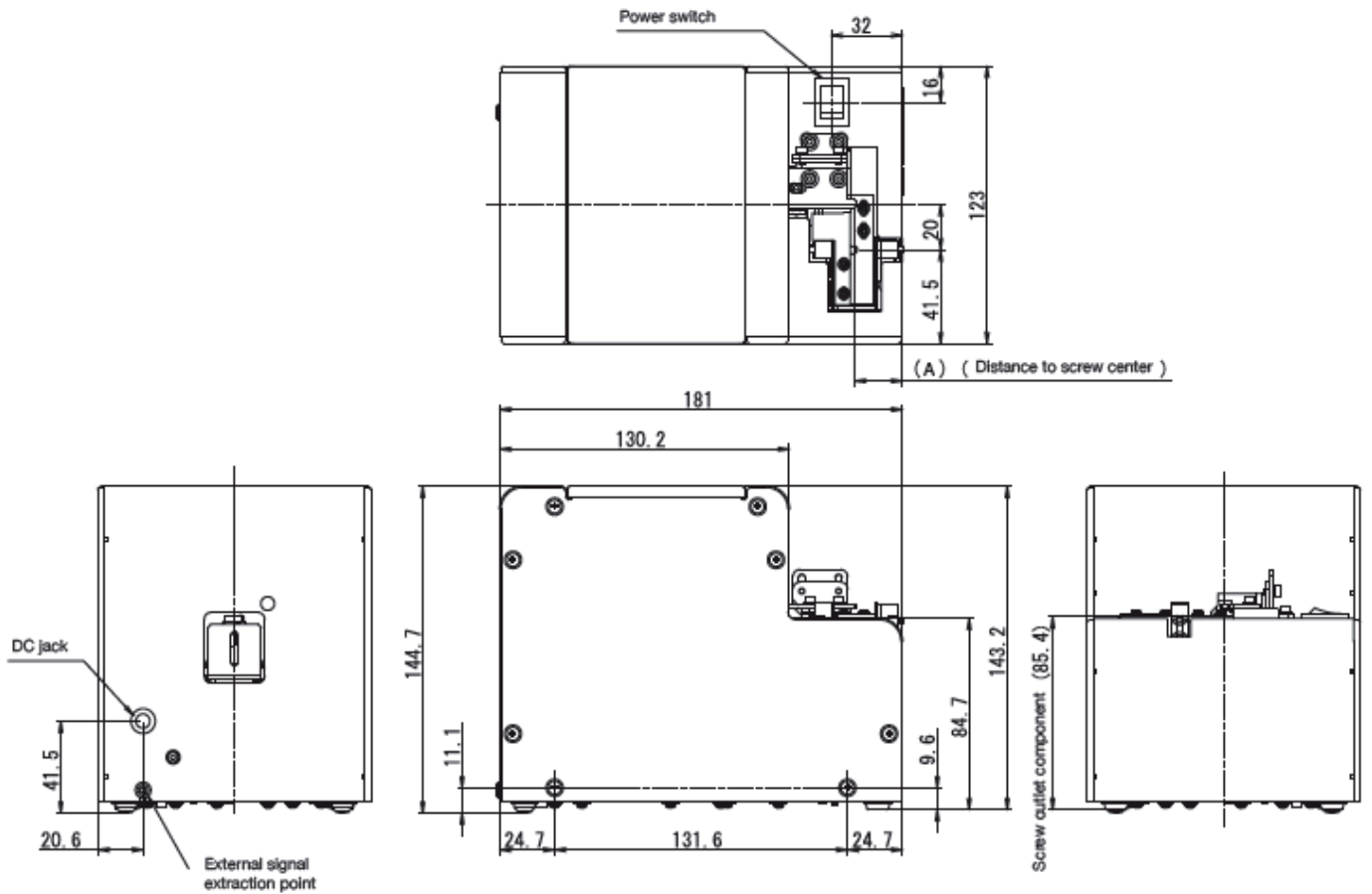
Model	Code
Dispenser OHTAKE NSR-10 screw 1.0 mm	4-1510582
Dispenser OHTAKE NSR-12 screw 1.2 mm	4-1510583
Dispenser OHTAKE NSR-14 screw 1.4 mm	4-1510584
Dispenser OHTAKE NSR-17 screw 1.7 mm	4-1510585
Dispenser OHTAKE NSR-20 screw 2.0 mm	4-1510586
Dispenser OHTAKE NSR-23 screw 2.3 mm	4-1510587
Dispenser OHTAKE NSR-26 screw 2.6 mm	4-1510588
Dispenser OHTAKE NSR-30 screw 3.0 mm	4-1510589

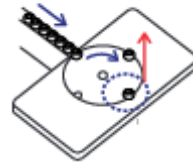
Additional rails

Model	Code
P/NSR Rail SRR10 for screw 1.0 mm	4-1510557
P/NSR Rail SRR12 for screw 1.2 mm	4-1510558
P/NSR Rail SRR14 for screw 1.4 mm	4-1510559
P/NSR Rail SRR17 for screw 1.7 mm	4-1510560
P/NSR Rail SRR20 for screw 2.0 mm	4-1510561
P/NSR Rail SRR23 for screw 2.3 mm	4-1510562
P/NSR Rail SRR26 for screw 2.6 mm	4-1510563
P/NSR Rail SRR30 for screw 3.0 mm	4-1510564

Features

Model	External dimensions	Screw capacity	Overload protection/recovery circuit	External signal line
NSR-10	123 x 181 x 145 (H)	ENV 80 CC	Yes	Yes
NSR-12			Yes	Yes
NSR-14			Yes	Yes
NSR-17			Yes	Yes
NSR-20			Yes	Yes
NSR-23			Yes	Yes
NSR-26			Yes	Yes
NSR-30			Yes	Yes





- ▶ Suitable for robotic applications.
- ▶ Rotative separator for an optimized cycle time (approx. 0.9 sec).

Suitable screws

Model	Suitable Ø screw body (mm)	Suitable Ø screw head (mm)	Suitable H screw (mm)	Screw shaft length (mm)
NSRI 10	0,9 to 0,95	1,2 to 4,5	0,35 to 1	1,6 to 10
NSRI 12	1,1 to 1,15	1,4 to 4,5	0,35 to 1	1,8 to 10
NSRI 14	1,4 (1,3 to 1,4)	1,7 to 4,5	0,35 to 1	2 to 10
NSRI 17	1,7 (1,6 to 1,7)	2 to 4,5	0,35 to 1	2,3 to 10
NSRI 20	2 (1,9 to 2,1)	2,4 to 6	0,35 to 4,5	2,6 to 20
NSRI 23	2,3 (2,2 to 2,4)	2,7 to 6	0,35 to 4,5	2,9 to 20
NSRI 26	2,6 (2,5 to 2,7)	3 to 6	0,35 to 4,5	3,2 to 20
NSRI 30	3 (2,9 to 3,2)	3,5 to 6	0,35 to 4,5	3,6 to 20

Dispensers

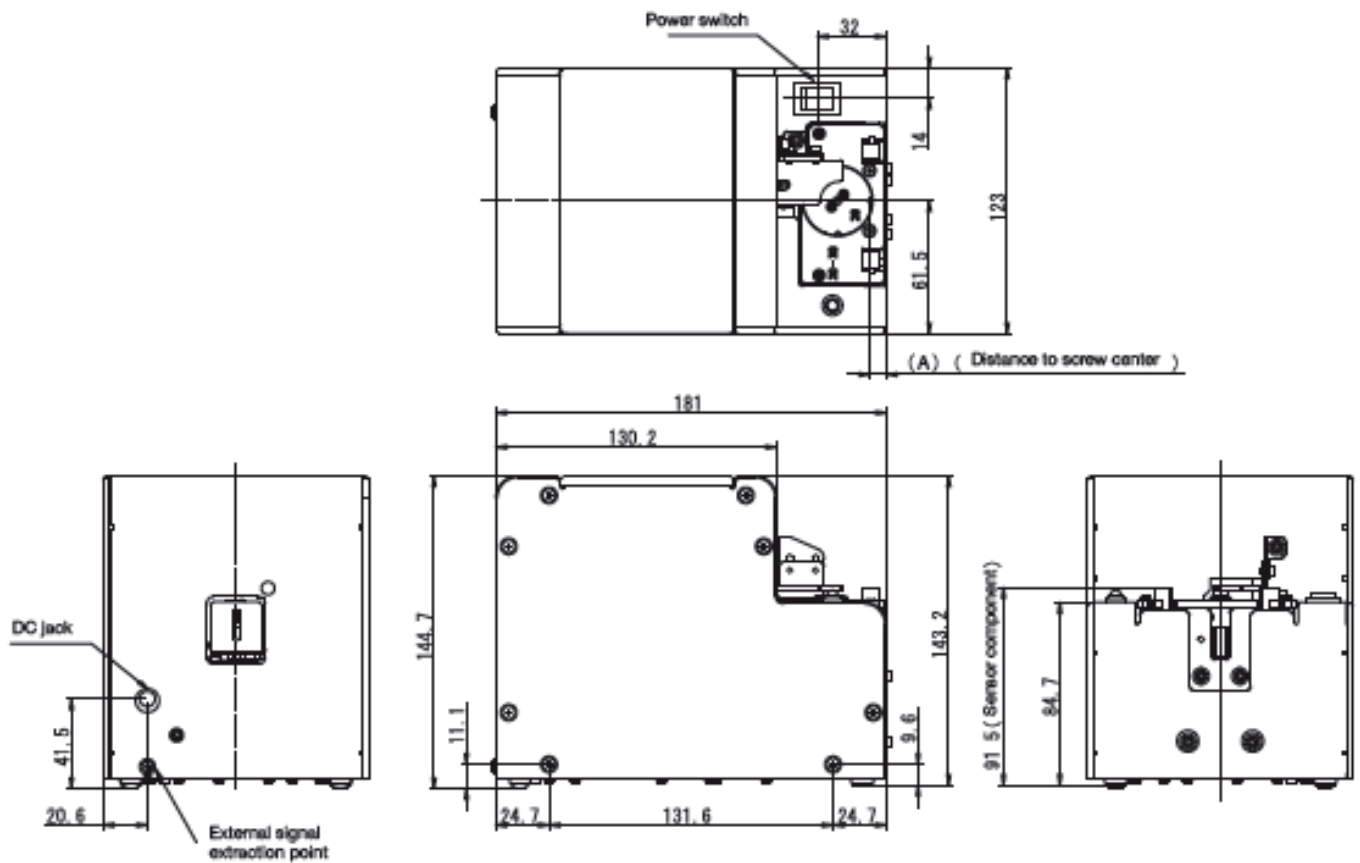
Model	Code
Dispenser OHTAKE NSRI-10 screw 1.0 mm	4-1510632
Dispenser OHTAKE NSRI-12 screw 1.2 mm	4-1510633
Dispenser OHTAKE NSRI-14 screw 1.4 mm	4-1510634
Dispenser OHTAKE NSRI-17 screw 1.7 mm	4-1510635
Dispenser OHTAKE NSRI-20 screw 2.0 mm	4-1510636
Dispenser OHTAKE NSRI-23 screw 2.3 mm	4-1510637
Dispenser OHTAKE NSRI-26 screw 2.6 mm	4-1510638
Dispenser OHTAKE NSRI-30 screw 3.0 mm	4-1510639

Additional rails

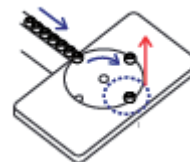
Model	Code
P/NSRI Rail RI10 for screw 1.0 mm	4-1510640
P/NSRI Rail RI12 for screw 1.2 mm	4-1510641
P/NSRI Rail RI14 for screw 1.4 mm	4-1510642
P/NSRI Rail RI17 for screw 1.7 mm	4-1510643
P/NSRI Rail RI20 for screw 2.0 mm	4-1510644
P/NSRI Rail RI23 for screw 2.3 mm	4-1510645
P/NSRI Rail RI26 for screw 2.6 mm	4-1510646
P/NSRI Rail RI30 for screw 3.0 mm	4-1510647

Features

Model	External dimensions	Screw capacity	Overload protection/recovery circuit	External signal line
NSRI-10	123 x 181 x 145 (H)	ENV 80 CC	Yes	Yes
NSRI-12			Yes	Yes
NSRI-14			Yes	Yes
NSRI-17			Yes	Yes
NSRI-20			Yes	Yes
NSRI-23			Yes	Yes
NSRI-26			Yes	Yes
NSRI-30			Yes	Yes



OM-26R serie



- ▶ Suitable for robotic applications.
- ▶ Rotative separator for an optimized cycle time (approx. 0.9 sec).
- ▶ Screw length up to 25 mm.

Suitable screws

Model	Suitable Ø screw body (mm)	Suitable Ø screw head (mm)	Suitable H screw (mm)	Suitable washer Ø (mm)	Screw shaft length (mm)
OM-26R20	2 (1,9 to 2,1)	2,4 to 6	0,35 to 6	2,4 to 10	2,6 to 25
OM-26R23	2,3 (2,2 to 2,4)	2,7 to 6	0,35 to 6	2,7 to 10	2,9 to 25
OM-26R26	2,6 (2,5 to 2,7)	3 to 6	0,35 to 6	3 to 10	3,2 to 25
OM-26R30	3 (2,9 to 3,2)	3,5 to 6	0,35 to 6	3,5 to 11	3,6 to 25
OM-26R35	3,5 (3,4 to 3,7)	4 to 8	0,35 to 6,5	4 to 11	4,1 to 25
OM-26R40	4 (3,8 to 4,2)	4,5 to 8	0,35 to 6,5	4,5 to 12	4,6 to 25
OM-26R50	5 (4,8 to 5,2)	5,5 to 10	0,35 to 7	5,5 to 12	5,6 to 25
OM-26R60	6 (5,8 to 6,2)	6,5 to 11	0,35 to 7,5	6,5 to 12	6,6 to 25

Dispensers

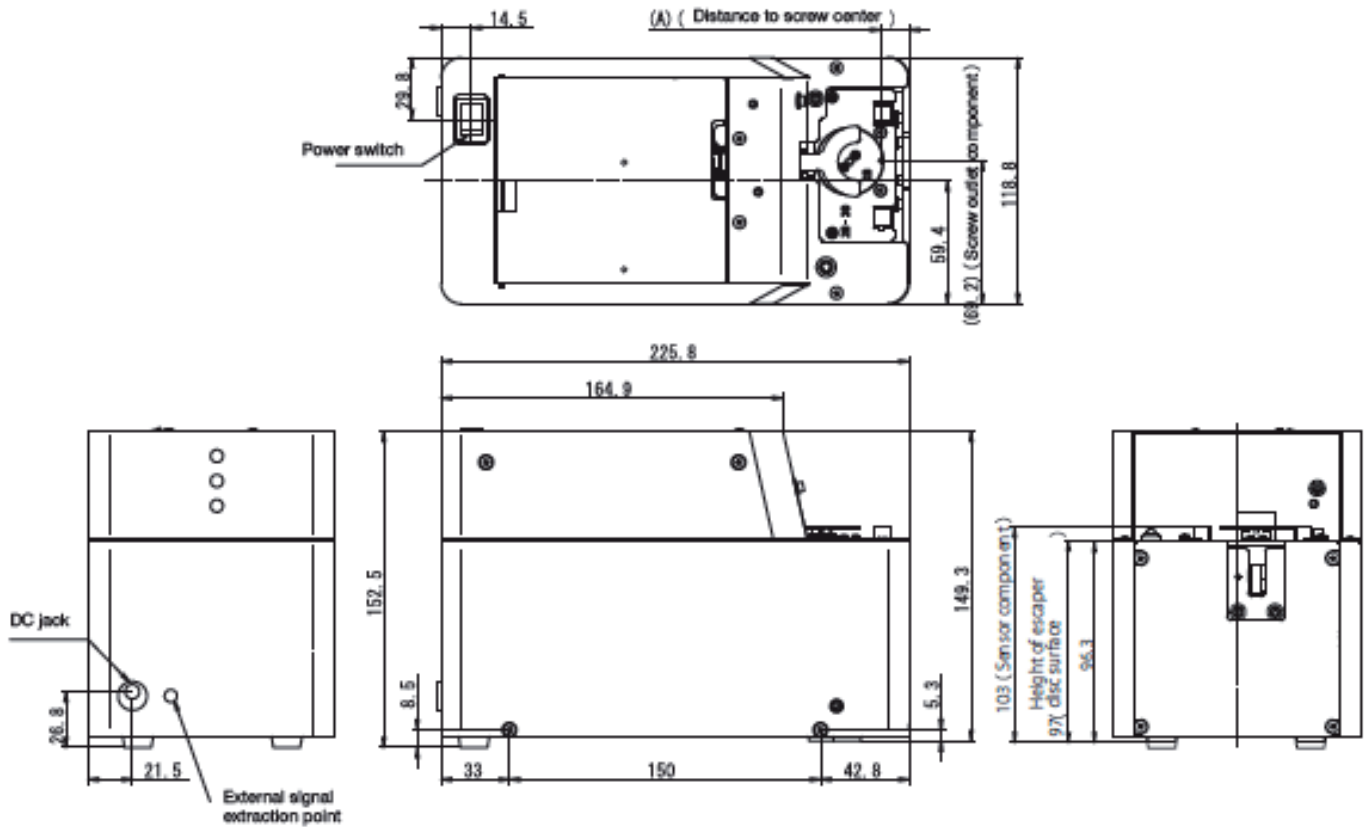
Model	Code
Dispenser OHTAKE OM-26R20 screw 2.0 mm	4-1500076
Dispenser OHTAKE OM-26R23 screw 2.3 mm	4-1500078
Dispenser OHTAKE OM-26R26 screw 2.6 mm	4-1500080
Dispenser OHTAKE OM-26R30 screw 3.0 mm	4-1500082
Dispenser OHTAKE OM-26R35 screw 3.5 mm	4-1500084
Dispenser OHTAKE OM-26R40 screw 4.0 mm	4-1500086
Dispenser OHTAKE OM-26R50 screw 5.0 mm	4-1500088
Dispenser OHTAKE OM-26R60 screw 6.0 mm	4-1500051

Additional rails

Model	Code
P/OM - 26R Rail OMR20 for screw 2.0 mm	4-1500077
P/OM - 26R Rail OMR23 for screw 2.3 mm	4-1500079
P/OM - 26R Rail OMR26 for screw 2.6 mm	4-1500081
P/OM - 26R Rail OMR30 for screw 3.0 mm	4-1500083
P/OM - 26R Rail OMR35 for screw 3.5 mm	4-1500085
P/OM - 26R Rail OMR40 for screw 4.0 mm	4-1500087
P/OM - 26R Rail OMR50 for screw 5.0 mm	4-1500089
P/OM - 26R Rail OMR60 for screw 6.0 mm	4-1500052

Features

Model	External dimensions	Screw capacity	Overload protection/recovery circuit	External signal line
OM-26R20	119 x 226 x 152 (H)	ENV 300 CC	Yes	Yes
OM-26R23			Yes	Yes
OM-26R26			Yes	Yes
OM-26R30			Yes	Yes
OM-26R35			Yes	Yes
OM-26R40			Yes	Yes
OM-26R50			Yes	Yes
OM-26R60			Yes	Yes



AUTOMATIC SCREW PRESENTERS FOR PICKING BY QUANTITY

FM-36 serie



- ▶ Counting of fixed quantities Between 1 and 99 screws.
- ▶ The horizontal rail system ensures a stable distribution without overlapping and obstruction.
- ▶ Accepts screws of different diameters thanks to a quick change of the rail.

Suitable screws

Model	Suitable Ø screw body (mm)	Suitable Ø screw head (mm)	Suitable H screw (mm)	Suitable washer Ø (mm)	Screw shaft length (mm)
FM-3630	3 (2,8 to 3,1)	4 to 5,5	1 to 5,5	4 to 12	3,6 to 25
FM-3635	3,5 (3,3 to 3,7)	4,8 to 8	1 to 8	4,8 to 12	4,1 to 25
FM-3640	4 (3,8 to 4,1)	5,4 to 8	1 to 8	5,4 to 12	4,6 to 25
FM-3650	5 (4,8 to 5,1)	6,2 to 10	1 to 8	6,2 to 12	5,6 to 25
FM-3660	6 (5,8 to 6,2)	7,2 to 12	1 to 8	7,2 to 12	5,6 to 25

Dispensers

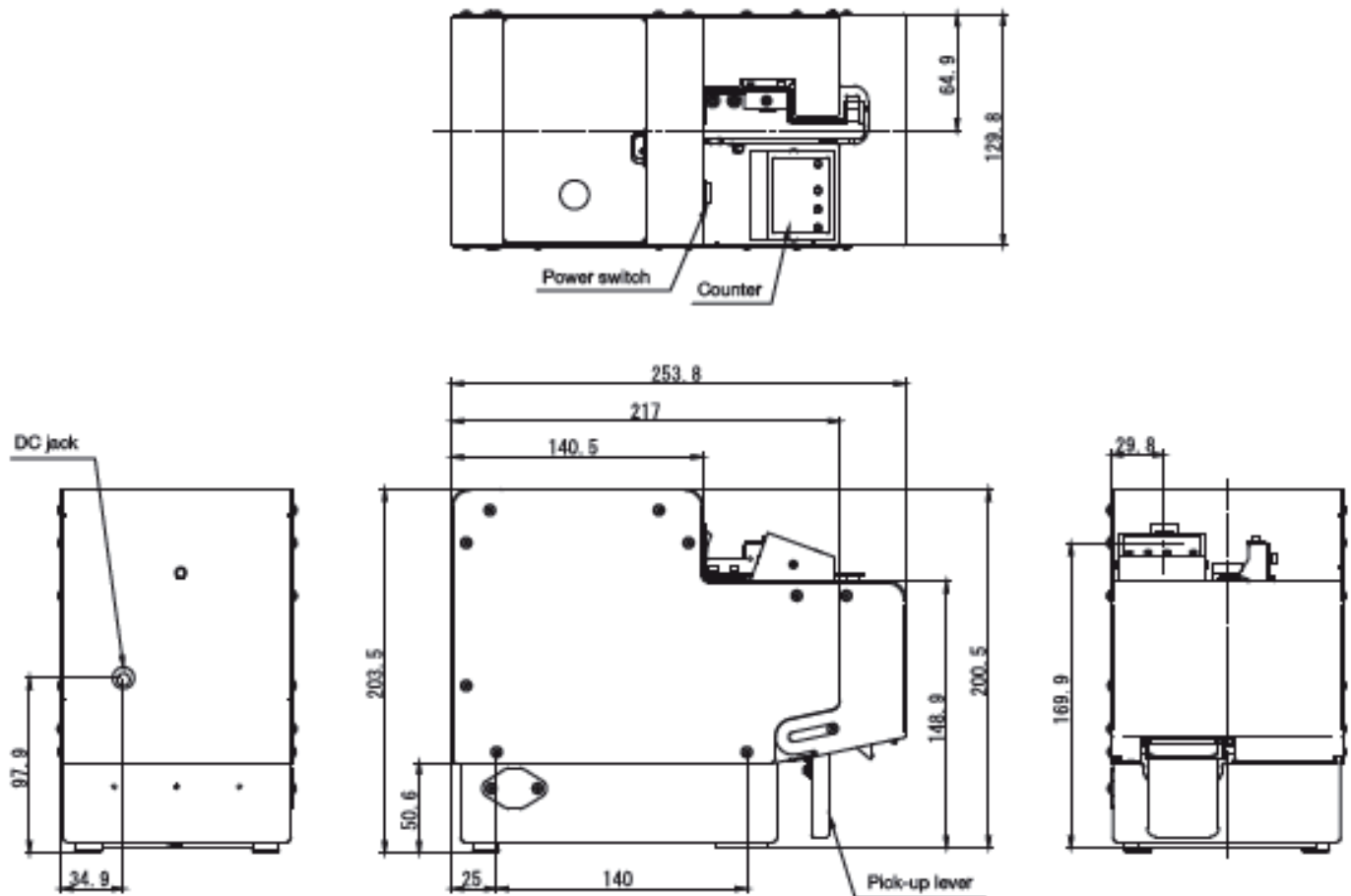
Model	Code
Dispenser OHTAKE FM36 screw 3.0 mm	4-1510590
Dispenser OHTAKE FM36 screw 3.5 mm	4-1510591
Dispenser OHTAKE FM36 screw 4.0 mm	4-1510592
Dispenser OHTAKE FM36 screw 5.0 mm	4-1510593
Dispenser OHTAKE FM36 screw 6.0 mm	4-1510594

Additional rails

Model	Code
P/FM-36 Rail FR30 for screw 3.0 mm	4-1510595
P/FM-36 Rail FR35 for screw 3.5 mm	4-1510596
P/FM-36 Rail FR40 for screw 4.0 mm	4-1510597
P/FM-36 Rail FR50 for screw 5.0 mm	4-1510598
P/FM-36 Rail FR60 for screw 6.0 mm	4-1510599

Features

Model	External dimensions	Screw capacity	Overload protection/recovery circuit	External signal line
FM-3630	130 x 254 x 201 (H)	ENV 150 CC	Yes	Yes
FM-3635			Yes	Yes
FM-3640			Yes	Yes
FM-3650			Yes	Yes
FM-3660			Yes	Yes



ACCESSORIES AND SERVICES

Additional vertical hoppers

- ▶ Easy installation: just line it up on top of the dispenser.
- ▶ Does not take up floor space.
- ▶ Increases distributor autonomy.
- ▶ Timer dispensing adjustment.



(T-510 + NSR)

Compatibility

Model	Suitable dispensers
T-510S	NSB / NSR / NSBI / NSRI / NSRI-B
T-510J	NJ / NJR
T-510F	FM-36 / FME-36

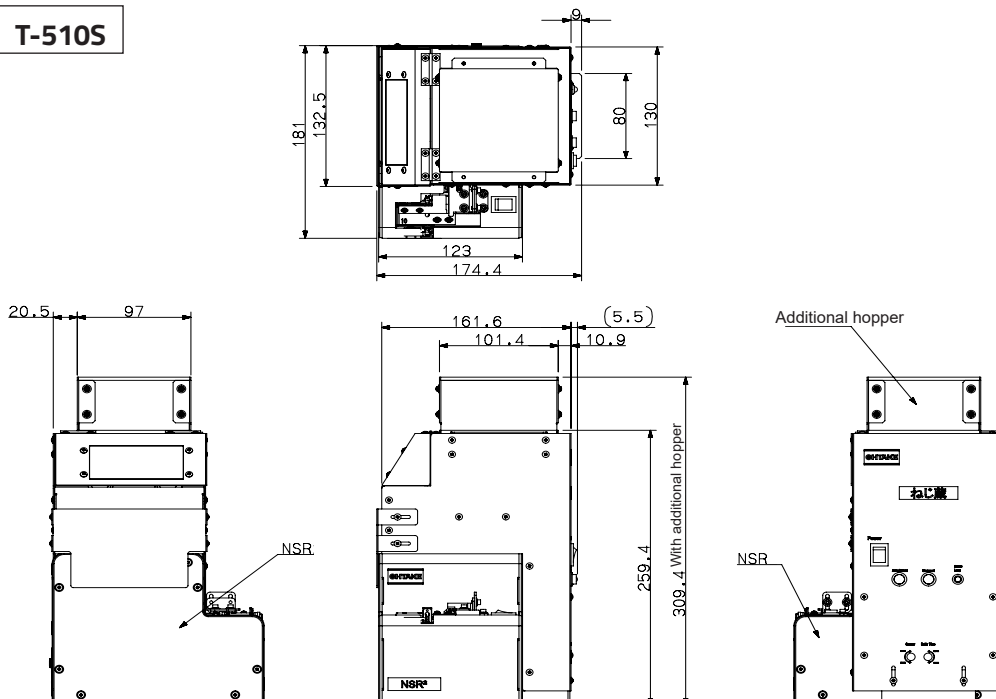
References

Hoppers	
Model	Code
Vertical hopper T-510S P/NSB NSR NSBI NSRI	4-1510301
Vertical hopper T-510J P/NJ NJR	4-1510303
Vertical hopper T-510F P/FM-36	4-1510304

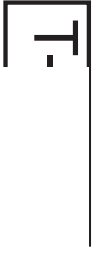
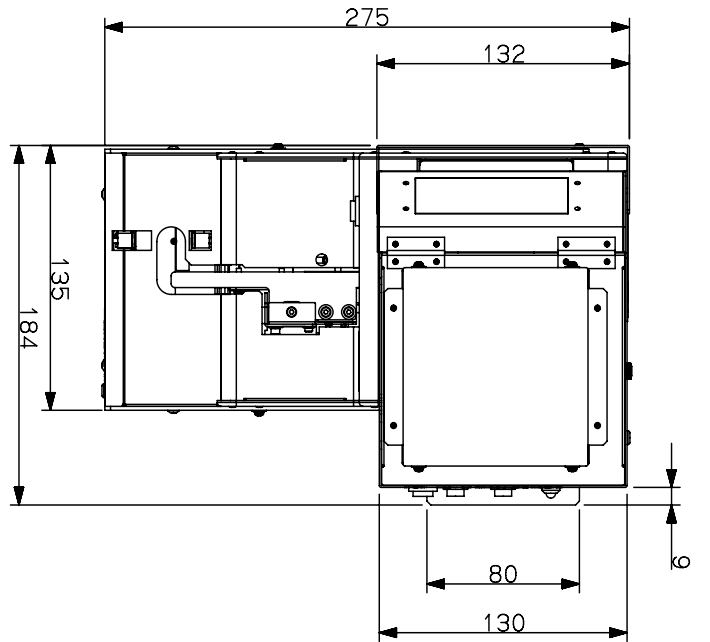
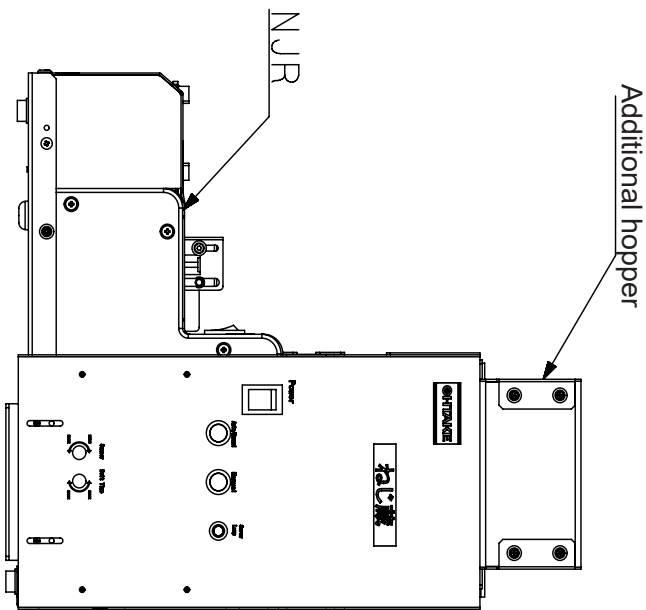
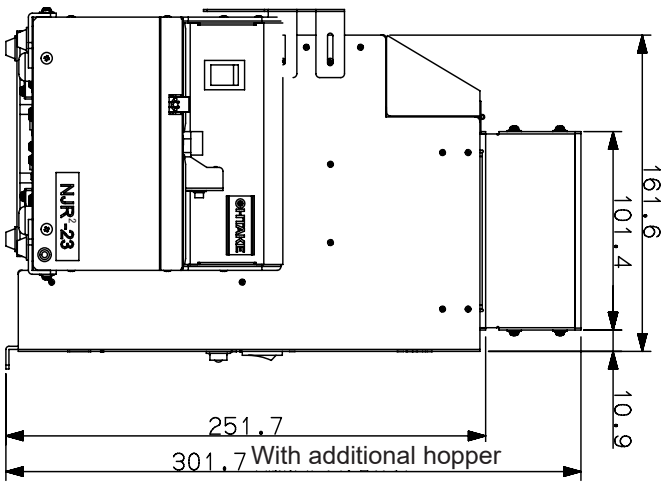
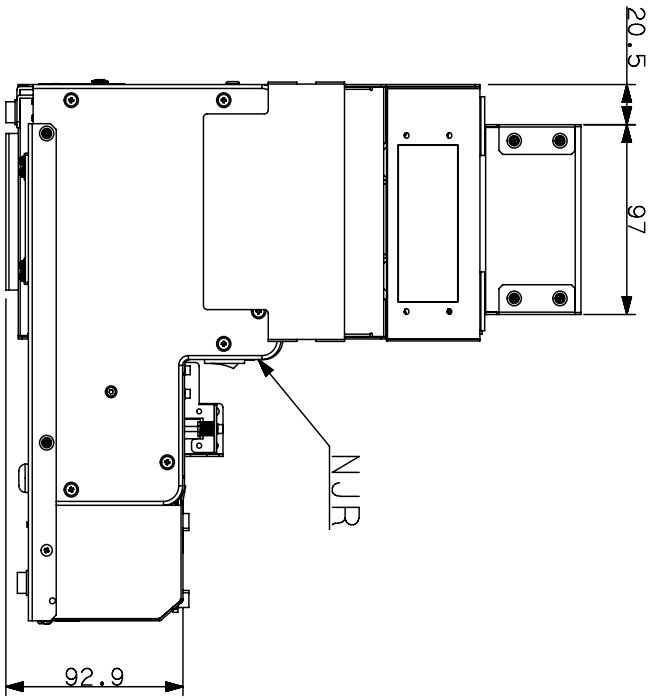
Features

Model	External dimensions	Screw capacity	Suitable \varnothing screw body (mm)	External signal line (remaining quantity sensor)
T-510S	130 x 171 x 245 (H)	ENV 400 CC and 800 CC with optional extension	M1 to M6	Yes
T-510J				Yes
T-510F				Yes

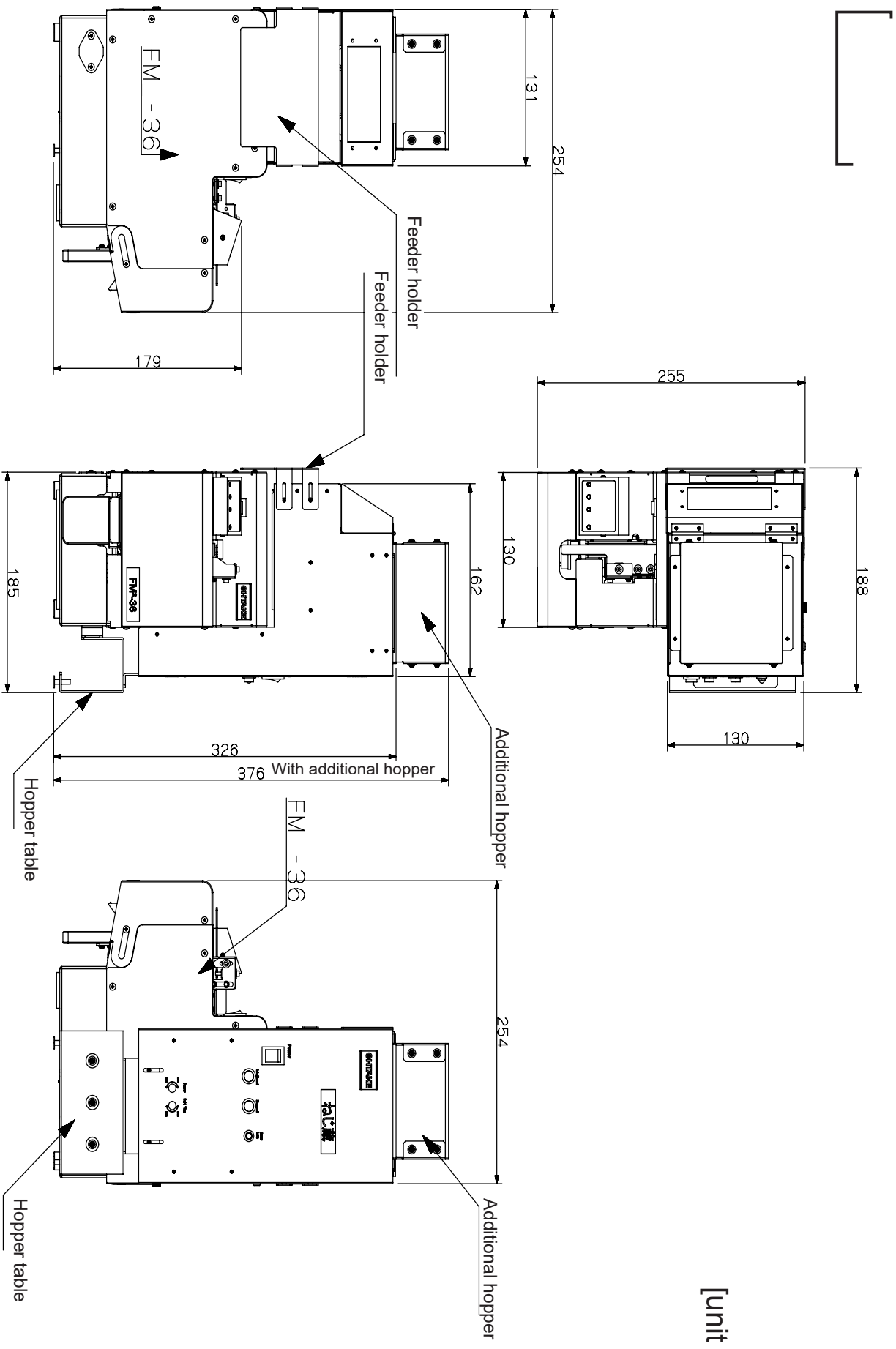
T-510S



T-510J



T-510F



[unit : mm]

ADDITIONAL REAR HOPPERS



- ▶ Easy installation : just line it up next to the screw dispenser.
- ▶ Suitable for a stock of screws of about 800 cc.
- ▶ Timer dispensing adjustment.

Compatibility

Model	Suitable dispensers
NJ-80	NJ / NJR
NJ-80F	FM-36 / FME-36
SR-80	NSB / NSR / NSBI / NSRI / NSRI-B

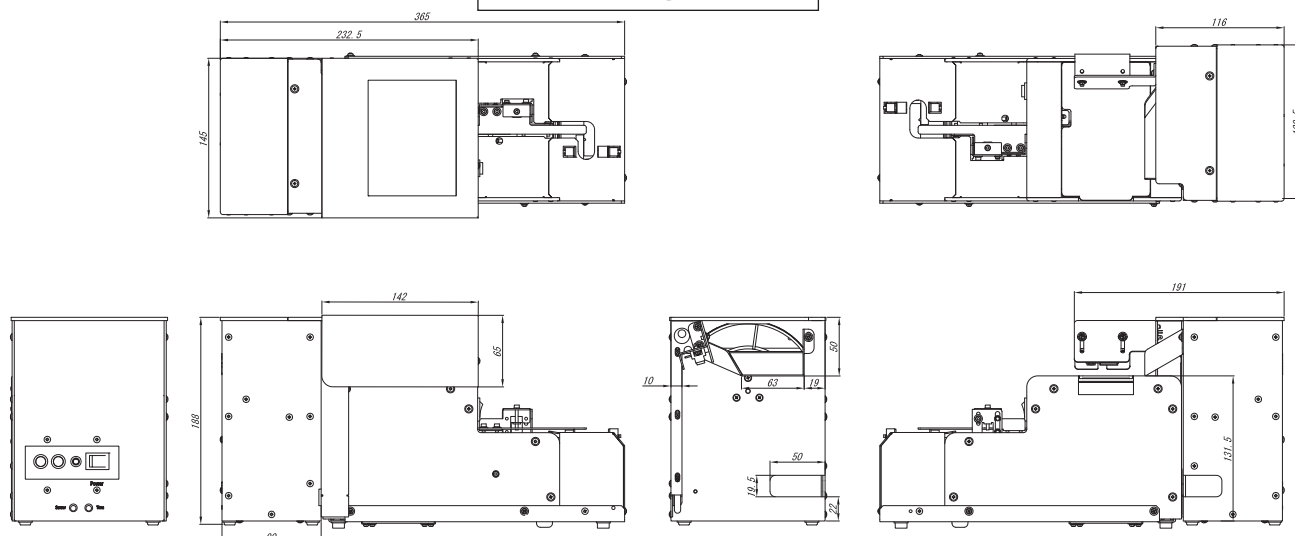
References

Hoppers	
Model	Code
Rear hopper NJ-80 P/NJ NJR	4-1510299
Rear hopper NJ-80F P/FM-36	4-1510300
Rear hopper SR-80 P/NSB NSR NSBI NSRI	4-1510302

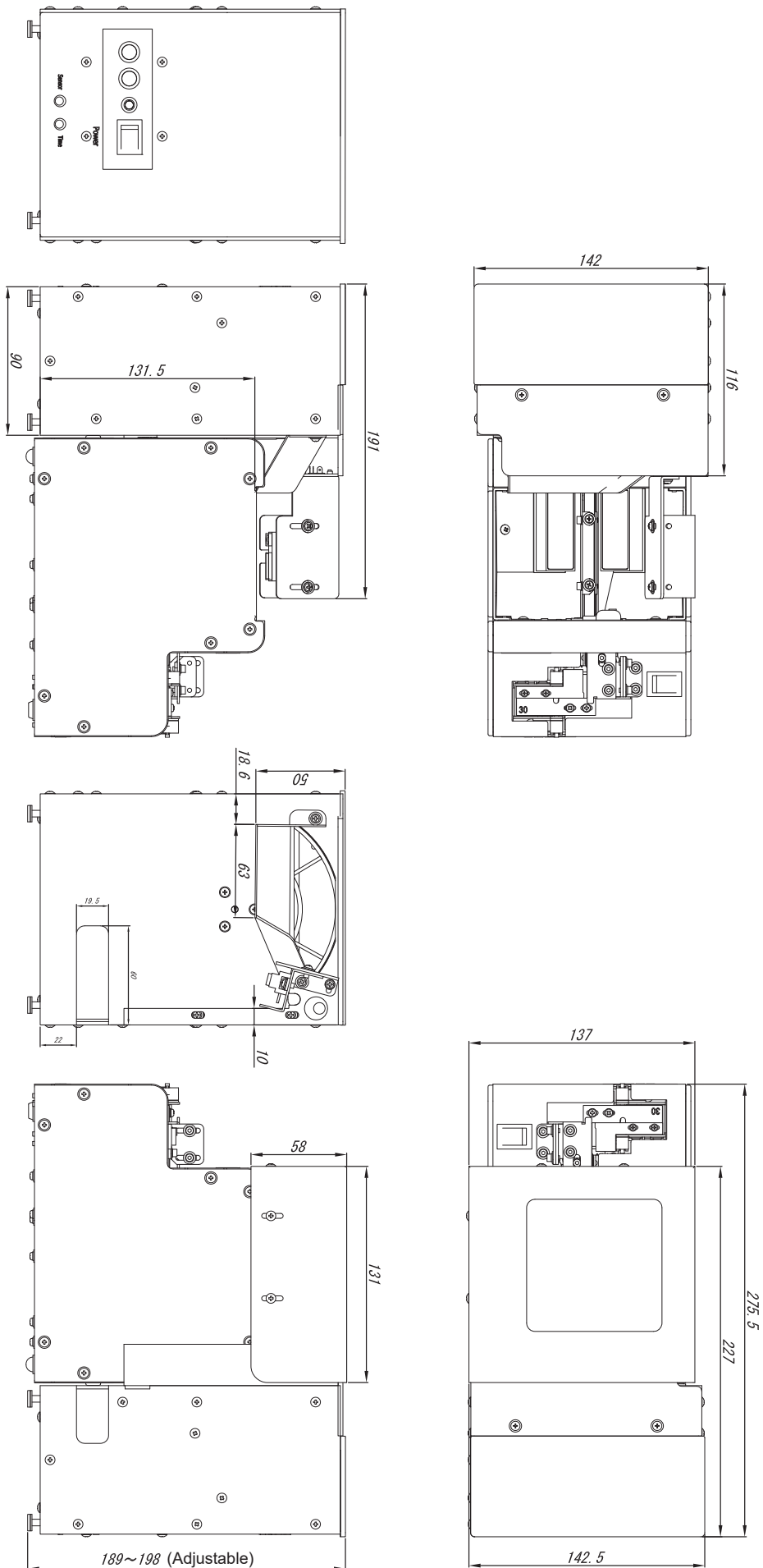
Features

Model	External dimensions	Screw capacity	Suitable Ø screw body (mm)	External signal line (remaining quantity sensor)
NJ-80	142 x 191 x 188 (H)	ENV 800 CC	M2 to M6	No
NJ-80F				No
SR-80	142 x 191 x 189 to 198 (H)			No

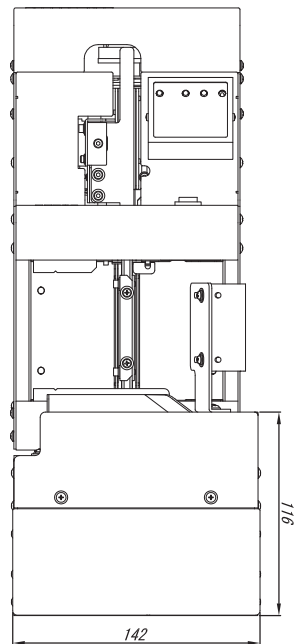
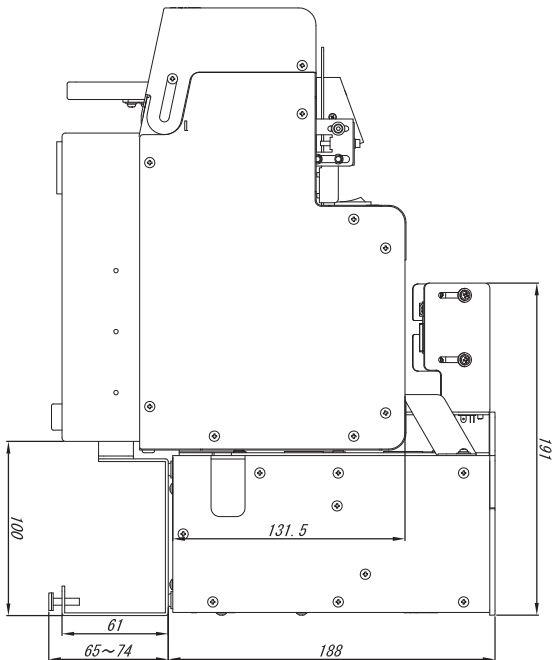
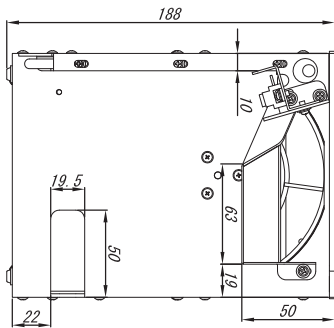
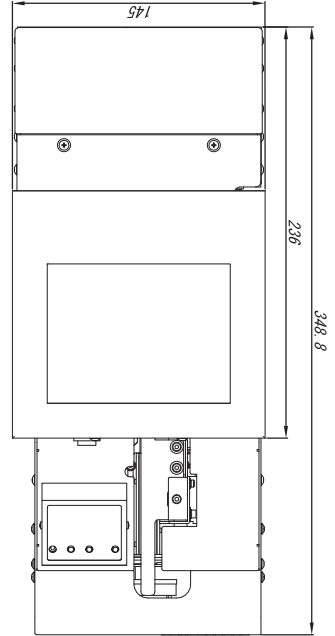
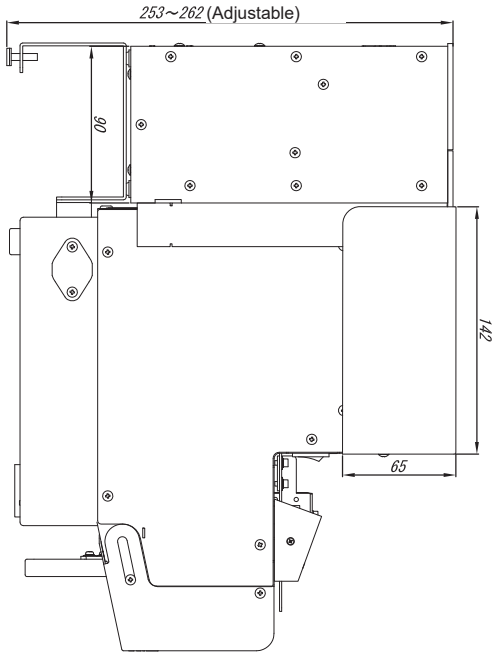
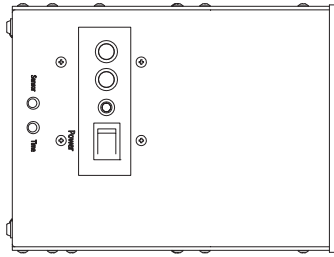
NJ-80 and dispenser NJR



NJ-80 F and dispenser FM-36



SR-80 and dispenser NSR



Assembly sleeve supports and guides on feeder NJR / NSR

Model	Code
Support and guide for sleeve vacuum kit Delvo	4-1525007
Support and guide for sleeve vacuum kit GX30V	4-1525032
Support and guide for sleeve vacuum kit GX40V	4-1525029
Support and guide for sleeve vacuum kit MD26	4-1525030
Support and guide for sleeve vacuum kit MD32	4-1525031

Assembly and setting packages

Model	Code
Assembly package	4-1525011
Setting package for dispenser adjustment according to screw*	4-1530021

* For this service a batch of 200 representative screws must be provided to us at the time of the order.

RELATED PRODUCTS



Assembly tools

By combining the wide range of DOGA industrial screwdrivers and the choices we make together, we will meet your production and quality requirements.

- Torque and angle current control tools
 - Torque and angle transduced control tools - STANLEY®
 - Brushless electric tools
-



Air vacuum system & sleeves

By holding the screw under vacuum at the end of the screwdriver, this screw gripping system meets your non-magnetic or small screw assembly needs, especially when access to the screw point is restricted..

DOGA**TEC**

Mit Sicherheit montiert

Vertrieb Deutschland und Österreich
DOGAtec GmbH | D-73430 Aalen |
Tel 0049 7361 8049950 | www.dogatec.de |

© DOGA | DOC.60406.08/21

We constantly strive to improve our products. As a result, the dimensions and indications in this document may not always correspond to the latest production. By explicit agreement, our sales are subject to a reservation of title (the provisions of the French 05/12/1980 Act are therefore fully applicable).